



**WINSTAR Display Co.,Ltd.**  
**華凌光電股份有限公司**



# Winstar Display Co., LTD

## 華凌光電股份有限公司



WEB: <https://www.winstar.com.tw> E-mail: sales@winstar.com.tw

### SPECIFICATION

**MODULE NO.: WF70PTIFGDBGA#**

### General Specifications

Item	Dimension	Unit
Size	7.0	inch
Dot Matrix	800 x RGB x 480(TFT)	dots
Module dimension	165.0(W) x 100.0(H) x 13.375(D)	mm
Active area	154.08 x 85.92	mm
Dot pitch	0.0642 x 0.179	mm
LCD type	TFT, Negative, Transmissive	
View Direction	12 o'clock	
Gray Scale Inversion Direction	6 o'clock	
Aspect Ratio	16:9	
Backlight Type	LED, Normally White	
Controller IC	RA8875	
TFT Interface	Digital 8080 family MPU 8bit/16bit	
PCAP IC	FT5426 or Equivalent	
PCAP Interface	I2C	
PCAP FW Version	03	
Touch Screen	With Projected capacitive touch screen (PCAP)	
Surface	Glare	

\*Color tone slight changed by temperature and driving voltage.

# Absolute Maximum Ratings

Item	Symbol	Min	Typ	Max	Unit
Operating Temperature	TOP	-20	—	+70	°C
Storage Temperature	TST	-30	—	+80	°C

# Electrical Characteristics

## 1. Operating conditions

Item	Symbol	Condition	Min	Typ	Max	Unit
Supply Voltage For LCM	VDD	—	3.0	3.3	3.6	V
Supply Current For LCM	IDD	—	—	120	180	mA

## 2 Backlight driving conditions

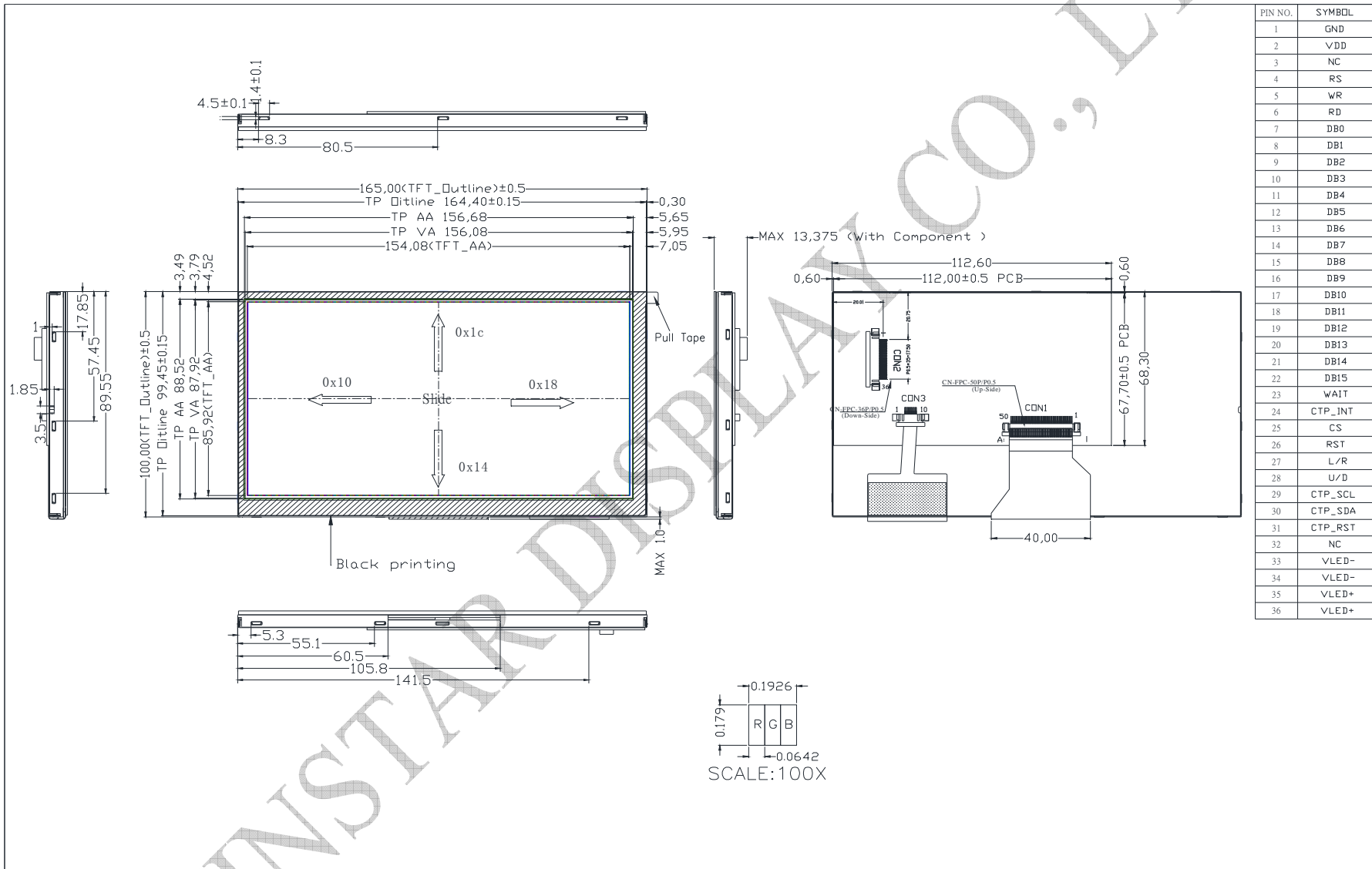
Parameter	Symbol	Min	Typ	Max	Unit
Operation Current For LED Driver	VLED=5V	400	—	600	mA
Power Consumption	VLED=5V	2000	—	3000	mW
Supply Voltage For LED Driver	VLED+	—	5	—	V
LED Life Time	—	—	50,000	—	Hr

# Interface

## 1. LCM PIN Definition

Pin	Symbol	Function
1	GND	System ground pin of the IC .Connect to system ground.
2	VDD	Power Supply : +3.3V
3	NC	No connect
4	RS	Data/Command select
5	WR	Write strobe signal
6	RD	Read strobe signal
7	DB0	Data bus
8	DB1	Data bus
9	DB2	Data bus
10	DB3	Data bus
11	DB4	Data bus
12	DB5	Data bus
13	DB6	Data bus
14	DB7	Data bus
15	DB8	Data bus (When select 8bits Mode, this pin is NC)
16	DB9	Data bus (When select 8bits Mode, this pin is NC)
17	DB10	Data bus (When select 8bits Mode, this pin is NC)
18	DB11	Data bus (When select 8bits Mode, this pin is NC)
19	DB12	Data bus (When select 8bits Mode, this pin is NC)
20	DB13	Data bus (When select 8bits Mode, this pin is NC)
21	DB14	Data bus (When select 8bits Mode, this pin is NC)
22	DB15	Data bus (When select 8bits Mode, this pin is NC)
23	WAIT	Wait Signal Output(H:active)
24	CTP_INT	CTP_ External interrupt to the host
25	CS	Chip select
26	RST	Hardware reset
27	L/R	Left / right selection; Default L/R=H
28	U/D	Up/down selection; ; Default U/D=L
29	CTP_SCL	I2C clock input
30	CTP_SDA	I2C data input and output
31	CTP_RST	CTP_ External Reset, Low is active
32	NC	No connection
33	VLED-	Power for LED Driver IC(GND)
34	VLED-	Power for LED Driver IC(GND)
35	VLED+	Power for LED Driver IC(+5V)
36	VLED+	Power for LED Driver IC(+5V)

# Contour Drawing



PIN NO.	SYMBOL
1	GND
2	VDD
3	NC
4	RS
5	WR
6	RD
7	DB0
8	DB1
9	DB2
10	DB3
11	DB4
12	DB5
13	DB6
14	DB7
15	DB8
16	DB9
17	DB10
18	DB11
19	DB12
20	DB13
21	DB14
22	DB15
23	WAIT
24	CTP_INT
25	CS
26	RST
27	L/R
28	U/D
29	CTP_SCL
30	CTP_SDA
31	CTP_RST
32	NC
33	VLED-
34	VLED-
35	VLED+
36	VLED+