



WINSTAR Display Co.,Ltd.
華凌光電股份有限公司



Winstar Display Co., LTD

華凌光電股份有限公司



WEB: <https://www.winstar.com.tw> E-mail: sales@winstar.com.tw

SPECIFICATION

MODULE NO.: WF52ASZFSDHGV#

General Specifications

Item	Dimension	Unit
Size	5.2	inch
Dot Matrix	480 x 3(RGB) x 128	dots
Module dimension	180.0 x 75.8 x 23.94 (Max)	mm
Active area	127.152 x 33.9072	mm
Dot pitch	0.0883 x 0.2649	mm
LCD type	TFT, Normally White, Transmissive	
View Direction	6 o'clock	
Gray Scale Inversion Direction	12 o'clock	
Aspect Ratio	Bar Type	
Backlight Type	LED, Normally White	
Controller IC	TFP401	
Interface	HDMI (only for DVI)	
Touch Panel	Projected capacitive touch panel (PCAP)	
PCAP IC	GT911 or equivalent	
PCAP Interface	USB	
PCAP FW Version:	0x99	
Surface	Glare	

*Color tone slight changed by temperature and driving voltage.

Absolute Maximum Ratings

Item	Symbol	Min	Typ	Max	Unit
Operating Temperature	TOP	-20	—	+70	°C
Storage Temperature	TST	-30	—	+80	°C

Electrical Characteristics

Operating conditions:

Item	Symbol	Condition	Min	Typ	Max	Unit
Supply Voltage For LCM	VDD	—	—	5	—	V
Supply Current For LCM	IDD	—	—	1200	1800	mA
LED life time	—	—	—	50,000	—	Hr

Interface

LCM PIN Definition(CON4)

Pin	Symbol	Function
1	NC	No connector
2	5V	Raspberry Pi:Power 5V
3	GPIO02	Raspberry Pi:GPIO02
4	5V	Raspberry Pi:Power 5V
5	GPIO03	Raspberry Pi:GPIO03
6	GND	Raspberry Pi:GND
7	GPIO04	Raspberry Pi:GPIO04
8	GPIO14	Raspberry Pi:GPIO14
9	GND	Raspberry Pi:GND
10	GPIO15	Raspberry Pi:GPIO15
11	GPIO17	Raspberry Pi:GPIO17
12	BL_E (GPIO18)	Raspberry Pi:GPIO18 (Backlight Enable)
13	GPIO27	Raspberry Pi:GPIO27
14	GND	Raspberry Pi:GND
15	GPIO22	Raspberry Pi:GPIO22
16	GPIO23	Raspberry Pi:GPIO23
17	NC	No connector
18	GPIO24	Raspberry Pi:GPIO24
19	GPIO10	Raspberry Pi:GPIO10
20	GND	Raspberry Pi:GND
21	GPIO09	Raspberry Pi:GPIO09
22	GPIO25	Raspberry Pi:GPIO25
23	GPIO11	Raspberry Pi:GPIO11
24	GPIO08	Raspberry Pi:GPIO08
25	GND	Raspberry Pi:GND
26	GPIO07	Raspberry Pi:GPIO07
27	ID_SD	Raspberry Pi:ID_SD
28	ID_SC	Raspberry Pi:ID_SC
29	GPIO05	Raspberry Pi:GPIO05

30	GND	Raspberry Pi:GND
31	GPIO06	Raspberry Pi:GPIO06
32	GPIO12	Raspberry Pi:GPIO12
33	GPIO13	Raspberry Pi:GPIO13
34	GND	Raspberry Pi:GND
35	GPIO19	Raspberry Pi:GPIO19
36	GPIO16	Raspberry Pi:GPIO16
37	GPIO26	Raspberry Pi:GPIO26
38	GPIO20	Raspberry Pi:GPIO20
39	GND	Raspberry Pi:GND
40	GPIO21	Raspberry Pi:GPIO21

LCM PIN Definition(CON5)

Pin	Symbol	Function
1	3.3V	TFT Module Power limit can only output 3.3V,100mA
2	5V	Raspberry Pi:Power 5V
3	GPIO02	Raspberry Pi:GPIO02
4	5V	Raspberry Pi:Power 5V
5	GPIO03	Raspberry Pi:GPIO03
6	GND	Raspberry Pi:GND
7	GPIO04	Raspberry Pi:GPIO04
8	GPIO14	Raspberry Pi:GPIO14
9	GND	Raspberry Pi:GND
10	GPIO15	Raspberry Pi:GPIO15
11	GPIO17	Raspberry Pi:GPIO17
12	BL_E (GPIO18)	Raspberry Pi:GPIO18 (Backlight Enable)
13	GPIO27	Raspberry Pi:GPIO27
14	GND	Raspberry Pi:GND
15	GPIO22	Raspberry Pi:GPIO22
16	GPIO23	Raspberry Pi:GPIO23
17	3.3V	TFT Module Power limit can only output 3.3V,100mA
18	GPIO24	Raspberry Pi:GPIO24
19	GPIO10	Raspberry Pi:GPIO10

20	GND	Raspberry Pi:GND
21	GPIO09	Raspberry Pi:GPIO09
22	GPIO25	Raspberry Pi:GPIO25
23	GPIO11	Raspberry Pi:GPIO11
24	GPIO08	Raspberry Pi:GPIO08
25	GND	Raspberry Pi:GND
26	GPIO07	Raspberry Pi:GPIO07
27	ID_SD	Raspberry Pi:ID_SD
28	ID_SC	Raspberry Pi:ID_SC
29	GPIO05	Raspberry Pi:GPIO05
30	GND	Raspberry Pi:GND
31	GPIO06	Raspberry Pi:GPIO06
32	GPIO12	Raspberry Pi:GPIO12
33	GPIO13	Raspberry Pi:GPIO13
34	GND	Raspberry Pi:GND
35	GPIO19	Raspberry Pi:GPIO19
36	GPIO16	Raspberry Pi:GPIO16
37	GPIO26	Raspberry Pi:GPIO26
38	GPIO20	Raspberry Pi:GPIO20
39	GND	Raspberry Pi:GND
40	GPIO21	Raspberry Pi:GPIO21

Note1: The 3.3V supply current is limited; please pay special attention to use

HDMI

Pin No.	Symbol	I/O	Function
1	Rx2+	I	+LVDS Differential Data Input
2	GND	P	Ground
3	Rx2-	I	-LVDS Differential Data Input
4	Rx1+	I	+LVDS Differential Data Input
5	GND	P	Ground
6	Rx1-	I	-LVDS Differential Data Input
7	Rx0+	I	+LVDS Differential Data Input
8	GND	P	Ground
9	Rx0-	I	-LVDS Differential Data Input

10	RxC+	I	+LVDS Differential Clock Input
11	GND	P	Ground
12	RxC-	I	-LVDS Differential Clock Input
13-14	NC	-	No connection
15	NC	-	No connection
16	NC	-	No connection
17	GND	P	Ground
18	5V	P	Power Supply
19	NC	-	No connection

I: input, O: output, P: Power

Note 1: Only supports Raspberry Pi series

PCAP USB PIN Definition (CON3)

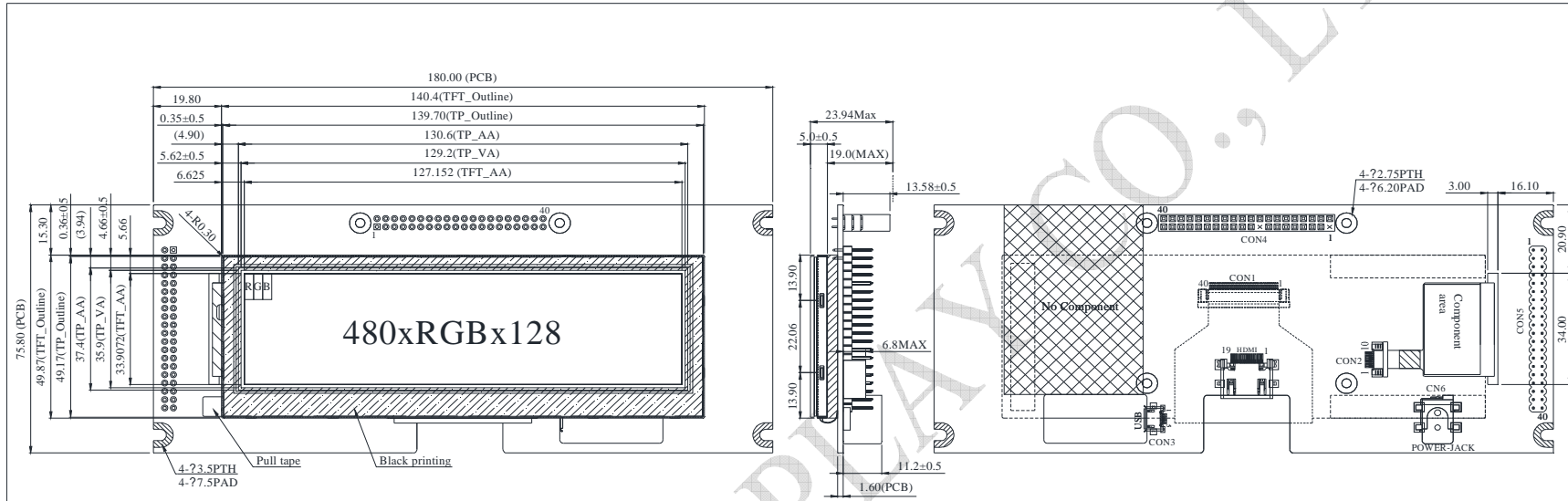
Pin	Symbol	Function
1	5V	Power Supply (5V)
2	D-	Data line -
3	D+	Data line +
4	NC	No connection
5	GND	Power Ground

Note 1: Only supports Raspberry Pi series

POWER-JACK

Pin No.	Symbol	I/O	Function
1	5V	P	Power Supply
2	GND	P	Ground
3	NC	-	No connection

Contour Drawing



HDMI

Pin	Symbol
1	RX2+
2	GND
3	RX2-
4	RX1+
5	GND
6	RX1-
7	RX0+
8	GND
9	RX0-
10	RXC+
11	GND
12	RXC-
13	NC
14	NC
15	NC
16	NC
17	GND
18	5V
19	NC

CON4

Pin	Symbol	Pin	Symbol	Pin	Symbol	Pin	Symbol
1	NC	11	GPIO17	21	GPIO09	31	GPIO06
2	5V	12	BL_E (GPIO18)	22	GPIO25	32	GPIO12
3	GPIO02	13	GPIO27	23	GPIO11	33	GPIO13
4	5V	14	GND	24	GPIO08	34	GND
5	GPIO03	15	GPIO22	25	GND	35	GPIO19
6	GND	16	GPIO23	26	GPIO07	36	GPIO16
7	GPIO04	17	NC	27	ID_SD	37	GPIO26
8	GPIO14	18	GPIO24	28	ID_SC	38	GPIO20
9	GND	19	GPIO10	29	GPIO05	39	GND
10	GPIO15	20	GND	30	GND	40	GPIO21

CON5

Pin	Symbol	Pin	Symbol	Pin	Symbol	Pin	Symbol
1	3.3V	11	GPIO17	21	GPIO09	31	GPIO06
2	5V	12	BL_E (GPIO18)	22	GPIO25	32	GPIO12
3	GPIO02	13	GPIO27	23	GPIO11	33	GPIO13
4	5V	14	GND	24	GPIO08	34	GND
5	GPIO03	15	GPIO22	25	GND	35	GPIO19
6	GND	16	GPIO23	26	GPIO07	36	GPIO16
7	GPIO04	17	3.3V	27	ID_SD	37	GPIO26
8	GPIO14	18	GPIO24	28	ID_SC	38	GPIO20
9	GND	19	GPIO10	29	GPIO05	39	GND
10	GPIO15	20	GND	30	GND	40	GPIO21

POWER-JACK

Pin	Symbol
1	5V
2	GND
3	NC

2 — (GND) — 1 (5V)

CON3

Pin	Symbol
1	5V
2	D-
3	D+
4	NC
5	GND

The non-specified tolerance of dimension is ± 0.3 mm .