



**WINSTAR Display Co.,Ltd.**  
**華凌光電股份有限公司**



# Winstar Display Co., LTD

## 華凌光電股份有限公司



WEB: <https://www.winstar.com.tw> E-mail: sales@winstar.com.tw

### SPECIFICATION

**MODULE NO.: WF43MTIBEDRND#**

### General Specifications

Item	Dimension	Unit
Size	4.3	inch
Dot Matrix	480 x RGB x 272(TFT)	dots
Module dimension	125.5(W) x 67.2(H) x 7.7 (D)	mm
Active area	95.04 x 53.86	mm
Dot pitch	0.066 x 0.198	mm
LCD type	TFT, Normally White, Transmissive	
View Direction	12 o'clock	
Gray Scale Inversion Direction	6 o'clock	
Aspect Ratio	16:9	
Backlight Type	LED, Normally White	
Interface	Uart 19200 Baud rate/SPI	
With /Without TP	Without TP	
Surface	Glare	

\*Color tone slight changed by temperature and driving voltage

# Absolute Maximum Ratings

Item	Symbol	Min	Typ	Max	Unit
Operating Temperature	TOP	-20	—	+70	°C
Storage Temperature	TST	-30	—	+80	°C

# Electrical Characteristics

## 1. Operating conditions:

Item	Symbol	Condition	Min.	Typ.	Max.	Unit
Supply Voltage For LCM	VBUS	—	4.5	5	5.5	V
Supply Current For LCM	IBUS	—	—	220	240	mA
Power Consumption	—	VBUS=5V	—	1100	1320	mW

## 2. LED driving conditions (LED Driver system build in )

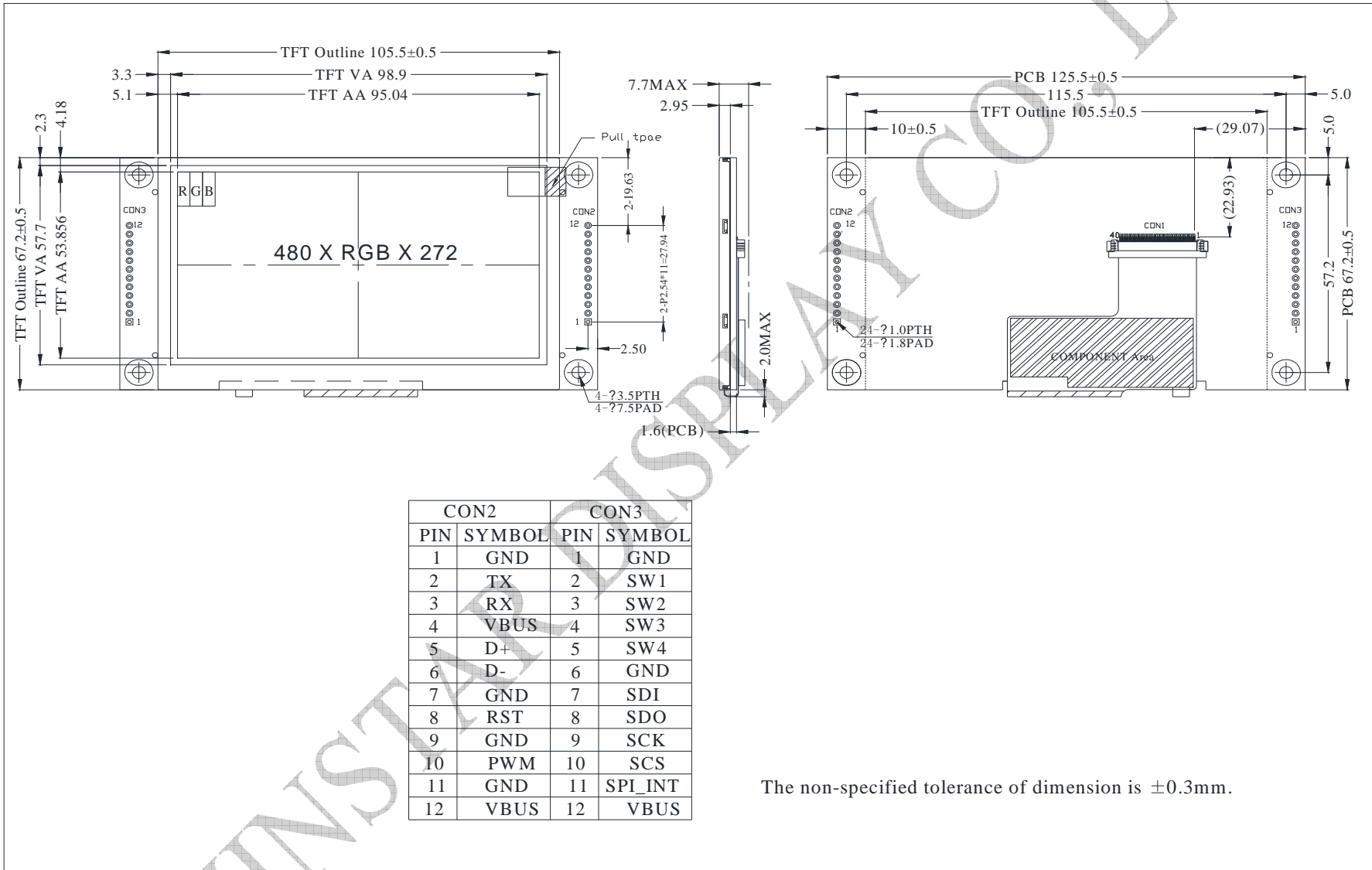
Parameter	Symbol	Min.	Typ.	Max.	Unit
LED current	-	-	20	-	mA
Power Consumption	-	-	640	680	mW
LED voltage	VBL+	30	32	34	V
LED Life Time	-	-	50,000	-	Hr

# Interface

CON 2			
Pin	Symbol	I/O	Function
1	GND	Power Supply	Power Ground
2	TX	O	Uart Transmit pin
3	RX	I	Uart Receive pin
4	VBUS	Power Supply	Power supply : 5V
5	D+	I/O	USB Data +
6	D-	I/O	USB Data -
7	GND	Power Supply	Power Ground
8	/REST	I	Reset (active Low)
9	GND	Power Supply	Power Ground
10	PWM	O	Pulse width modulation
11	GND	Power Supply	Power Ground
12	VBUS	Power Supply	Power supply : 5V

CON 3			
Pin	Symbol	I/O	Function
1	GND	Power Supply	Power Ground
2	SW1	I	Switch ( active low)
3	SW2	I	Switch ( active low)
4	SW3	I	Switch ( active low)
5	SW4	I	Switch ( active low)
6	GND	Power Supply	Power Ground
7	SDI	O	Master Input Slave Output (MISO)
8	SDO	I	Master Output Slave Input (MOSI)
9	SCK	I	Serial Clock
10	SCS	I	Serial Chip selection
11	SPI_INT	O	Serial Interrupt
12	VBUS	Power Supply	Power supply : 5V

# Contour Drawing



The non-specified tolerance of dimension is ±0.3mm.