



**WINSTAR Display Co.,Ltd.**  
**華凌光電股份有限公司**



## **SPECIFICATION**

**MODEL NO. : WLOF0007000A8GAACSA00**

### **Summary**

#### **7 Inch Smart Display (CAN series) Features**

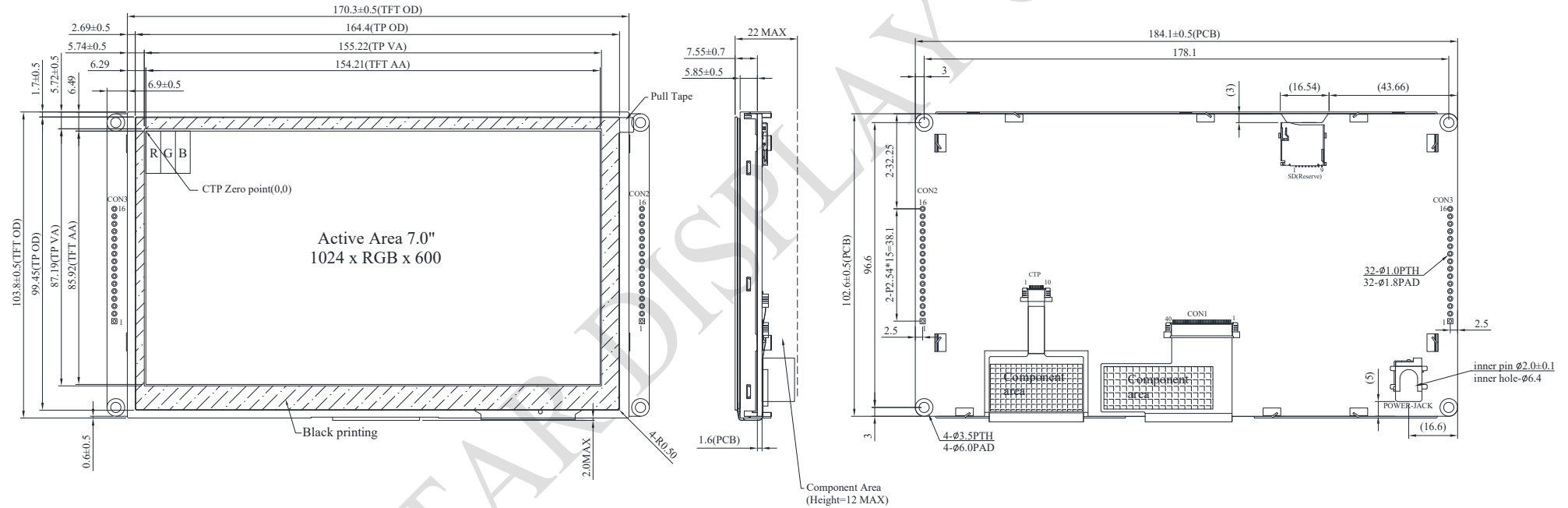
1. +12V power supply input, the power consumption is around 6W.
2. Self testing after booting function.
3. CAN bus communication interface.
4. Support Custom CAN ID protocol, default baud rate is 250KB.
5. Built in flash memory, store the font and Object Dictionary Data.
6. Support capacitive touch panel (CTP).
7. Embedded buzzer controlled by Master Device.
8. HOST can be used on multiple platforms, such as Computer (with USB to CAN Dongle), MCU, Raspberry Pi (with PiCAN2).

# Product information

## General information

Item	Standard Value	Unit
Operating voltage	5~16V	Vdc
Communication Interface	CAN bus	N/A
MCU	STM32F746 216MHz	N/A
Flash Memory	16	MB
SDRAM Frequency	166	MHz
LCD display size	7.0	inch
Dot Matrix	1024 x RGBx600(TFT)	dot
Module dimension	169.9(W) x 103.4(H) x 5.6(D)	mm
Active area	154.2144 x 85.92	mm
Dot pitch	0.1506 x 0.1432	mm
Brightness	Min: 400; Typ: 450	cd/m <sup>2</sup>
LCD type	TFT, Normally Black, Transmissive	
View Direction	85/85/85/85	
Aspect Ratio	16:9	
Touch Panel	Projected Capacitive Touch Screen, PCAP	
Surface	Glare	

# Contour Drawing



POWER JACK  
2 -  $\odot$  - 1  
(GND) (12V)

CON3	
PIN	SYMBOL
1	+3V3
2	SWCLK
3	GND
4	SWDIO
5	NRST
6	GND
7~16	NC

CON2			
PIN	SYMBOL	PIN	SYMBOL
1	+12V	9	Reserve
2	GND	10	Reserve
3	CAN_H	11	Reserve
4	CAN_L	12	GND
5	GND	13	Reserve
6	GND	14	NC
7	NC	15	NC
8	NC	16	GND

The non-specified tolerance of dimension is  $\pm 0.3\text{mm}$ .

## Absolute Maximum Ratings

Item	Symbol	Min	Typ	Max	Unit
Operating Temperature	TOP	-20	—	+70	°C
Storage Temperature	TST	-30	—	+80	°C

## Electrical Characteristics

Item	Symbol	Condition	Min	Typ	Max	Unit
Supply Voltage	VCI	—	5	12	16	V
Supply current	I(mA)	—	—	490	—	mA

## BOM

Item	Description
LCM	WF70A8TYAHLNGB#
PCBA	SV10007R00AAA00N0100

# Interface

## CON2 definition

Pin	Symbol	Function
1	+12V	Power supply 12V input
2	GND	Power supply GND input
3	CAN_High	CAN bus D+
4	CAN_Low	CAN bus D-
5	GND	Power supply GND input
6	GND	Power supply GND input
7	NC	—
8	NC	—
9	Reserve	—
10	Reserve	USART RX interface(Reserve)
11	Reserve	USART TX interface(Reserve)
12	GND	GND
13	Reserve	—
14	NC	—
15	NC	—
16	GND	GND

## CON3 definition:

Pin	Symbol	Function
1	+3V3	3.3V power for JTAG interface
2	SWCLK	CLK pin for JTAG interface
3	GND	GND for JTAG interface
4	SWDIO	Data pin for JTAG interface
5	NRST	Reset pin for JTAG interface
6	GND	GND
7~16	NC	—