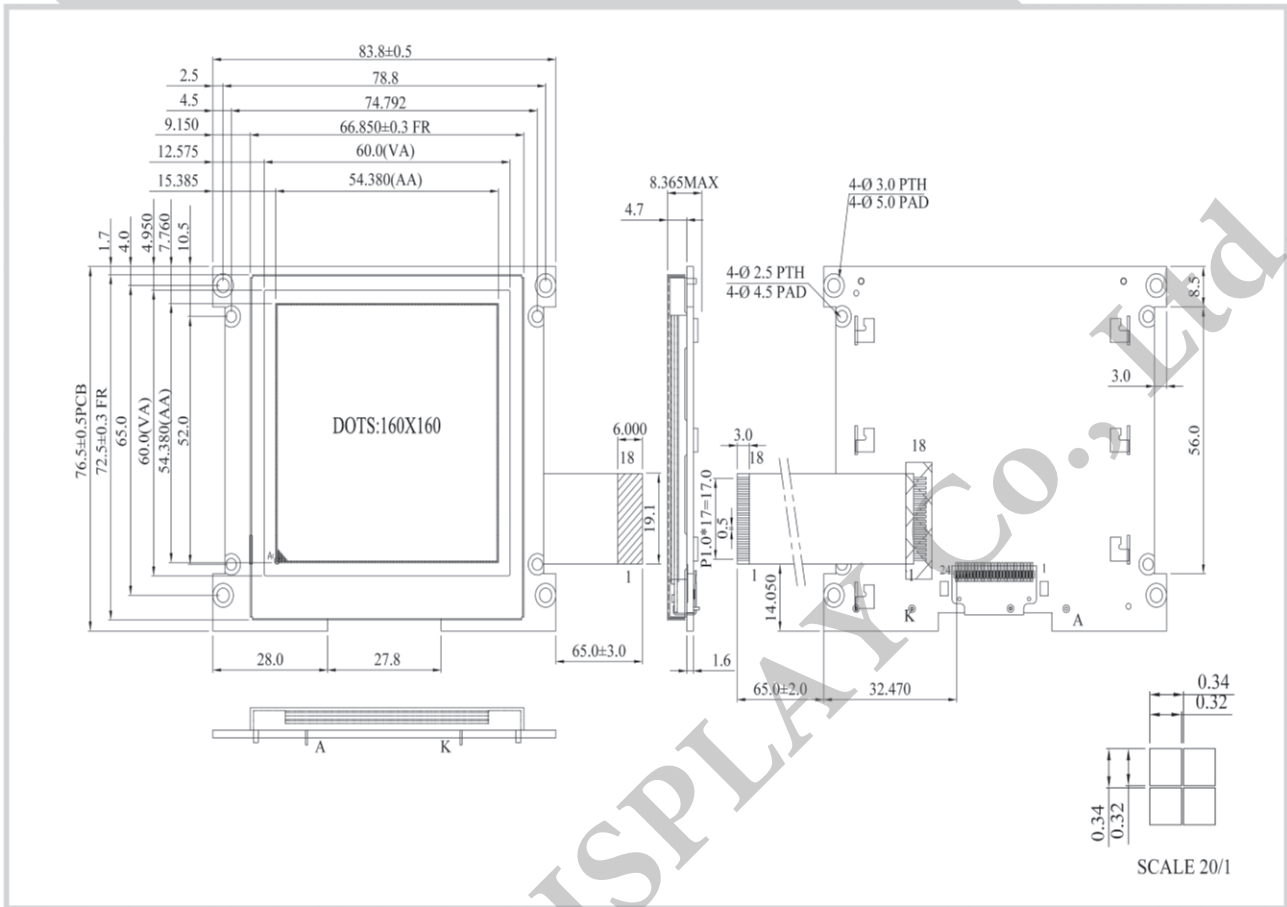


WO160160A Graphic 160x160



Feature

- 160x160 dots includes cursor
- Built-in controller UC1698U
- 3.3V power supply
- 1/160 duty cycle

Pin No.	Symbol	Description
1	V _{SS}	Ground
2	A0	Data/ Instruction select signal
3	WR	Data write. Write data into LCD Controller
4	RD	Data read. Read data from LCD Controller
5	XCS	Chip select input pins
6	RST	Controller reset signal, Active Low
7	V _{DD}	Power supply for logic
8	DB0	Data bus line
9	DB1	Data bus line
10	DB2	Data bus line
11	DB3	Data bus line
12	DB4	Data bus line
13	DB5	Data bus line
14	DB6	Data bus line
15	DB7	Data bus line
16	LED-	Power supply for B/L -
17	NC	No connection
18	LED+	Power supply for B/L +

Mechanical Data

Item	Standard Value	Unit
Module Dimension	83.8 x 76.5	mm
Viewing Area	60.0 x 60.0	mm
Mounting Hole	78.8 x 65.0	mm
Dot Pitch	0.34 x 0.34	mm
Dot Size	0.32 x 0.32	mm

Electrical Characteristics

Item	Symbol	Standard Value	Unit
		typ.	
Input Voltage	VDD	3.3	V
Recommended LCD Driving Voltage for Normal Temp. Version module @25°C	Vo-Vss	16.5	V