

# WINSTAR Display

## OLED SPECIFICATION

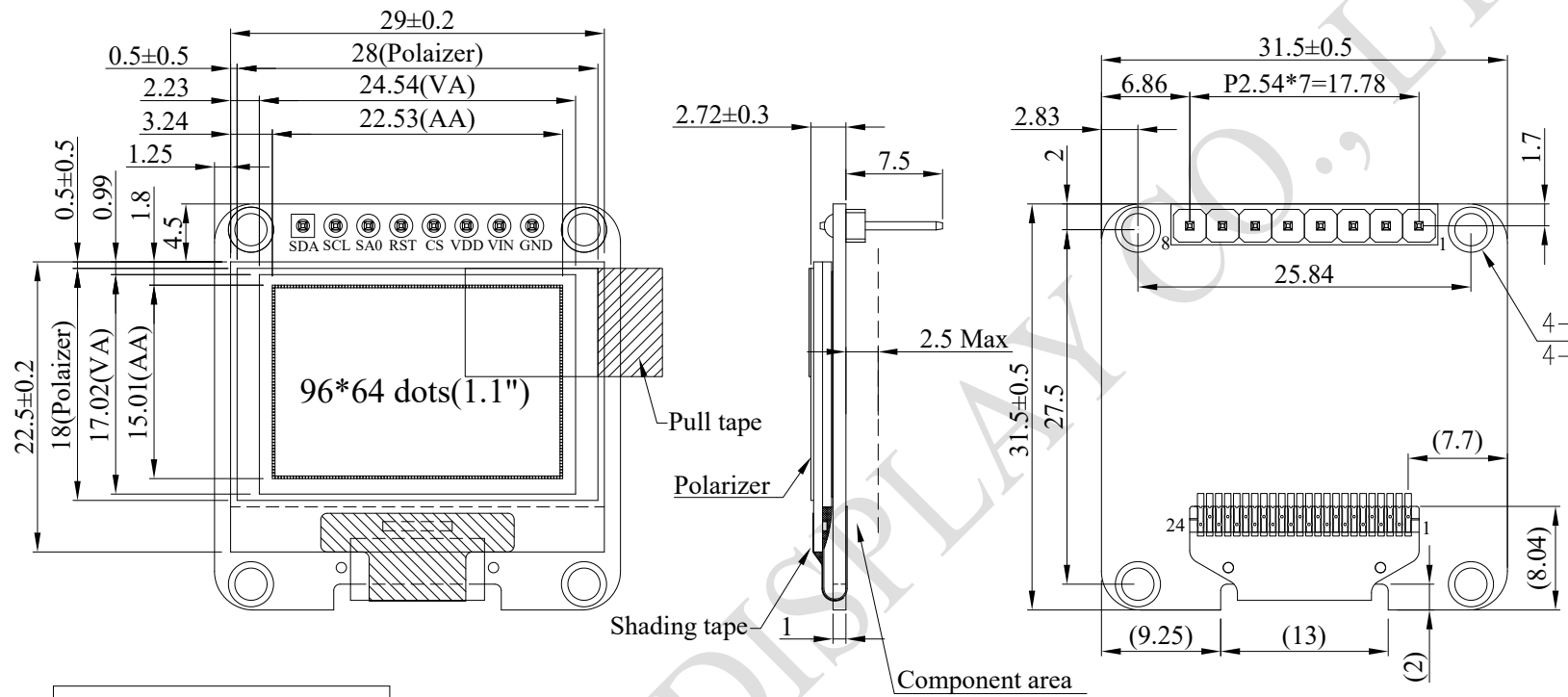
Model No:

**WEA009664B**

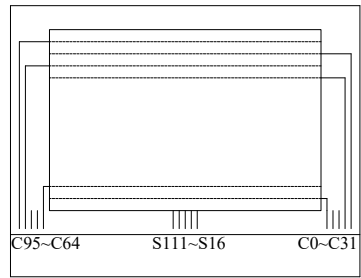
## General Specification

Item	Dimension	Unit
Dot Matrix	96 x 64 Dots	—
Module dimension	31.5x 31.5 x 2.72	mm
Active Area	22.53 x 15.01	mm
Pixel Size	0.205 x 0.205	mm
Pixel Pitch	0.235 x 0.235	mm
Display Mode	Passive Matrix	
Display Color	Monochrome	
Gray scale	4 bits	
Drive Duty	1/64 Duty	
IC	SSD1327	
Interface	SPI	
Size	1.1 inch	

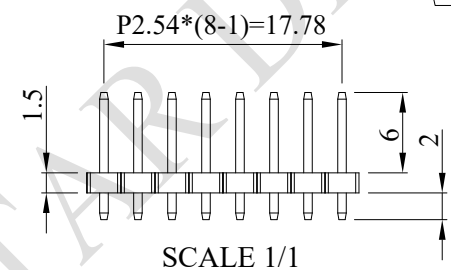
# Contour Drawing & Block Diagram



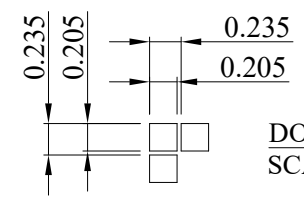
PIN No.	SYMBOL
1	SDA
2	SCL
3	SA0
4	RST
5	CS
6	VDD
7	VIN
8	GND



SEG & COM Layout



SCALE 1/1



DOTS SIZE  
SCALE 10/1

The non-specified tolerance of dimension is ±0.3 mm .

## Interface Pin Function

No.	Symbol	Function
1	SDA	When serial interface mode is selected, D0 will be the serial clock input: SCLK; D1 will be the serial data input: SDIN.
2	SCL	
3	SA0	This pin is Data/Command control pin connecting to the MCU.
4	RST	This pin is reset signal input. When the pin is pulled LOW, initialization of the chip is executed. Keep this pin HIGH (i.e. connect to VDD) during normal operation.
5	CS	This pin is the chip select input. (active LOW).
6	VDD	3.0V Power supply pin for core logic operation.
7	VIN	5.0V Power supply pin for core logic operation.
8	GND	This is a ground pin.

## Absolute Maximum Ratings

Parameter	Symbol	Min	Max	Unit
Supply Voltage for Logic	VDD	1.65	3.30	V
Supply Voltage for Logic	VIN	4.0	6.0	V
Operating Temperature	TOP	-40	+80	°C
Storage Temperature	TSTG	-40	+85	°C

## Electrical Characteristics

### DC Electrical Characteristics

Item	Symbol	Condition	Min	Typ	Max	Unit
Supply Voltage for Logic (3V)	VDD	—	2.8	3.0	3.2	V
Supply Voltage for Logic (5V)	VIN	—	4.8	5.0	5.2	V
Input High Volt.	VIH	—	0.8×VDD	—	VDD	V
Input Low Volt.	VIL	—	0	—	0.2×VDD	V
Output High Volt.	VOH	—	0.9×VDD	—	VDD	V
Output Low Volt.	VOL	—	0	—	0.1×VDD	V
50% Check Board operating Current	IDD	VDD=3.0V	—	55	100	mA