



WINSTAR Display Co.,Ltd.
華凌光電股份有限公司



SPECIFICATION

MODEL NO. : WLOF0007000A8GAAASA01

Summary

7 Inch Smart Display (CAN series) Features

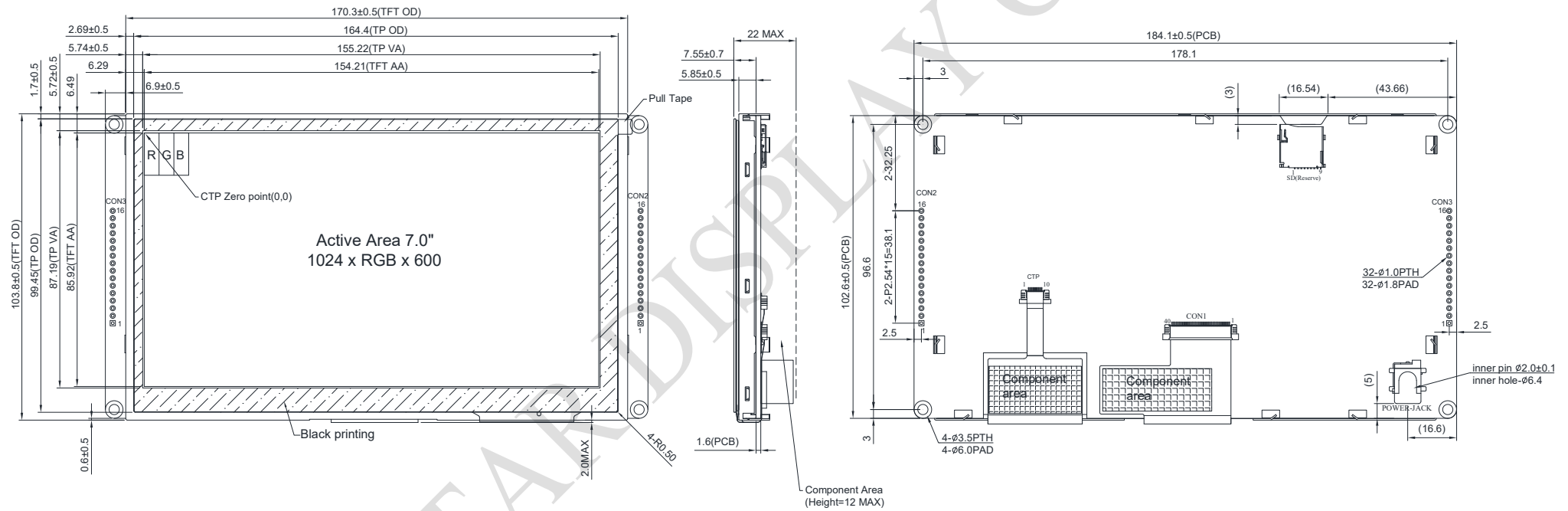
1. +12V power supply input with 5V to 16V dynamic range power input, the power consumption is around 8 WATT.
2. Self testing after booting function.
3. CAN bus communication interface.
4. Support CANopen negotiation. Default baud rate is 250Kbps.
5. Built in flash memory, store the font and Object Dictionary Data.
6. Support capacitive touch panel (CTP).
7. Embedded buzzer controlled by Master Device.
8. HOST can be used on multiple platforms, such as Computer (with USB to CAN Dongle), MCU, Raspberry Pi (with PiCAN2).

Product information

General information

Item	Standard Value	Unit
Operating voltage	5~16V	Vdc
Communication Interface	CAN bus differential ± 3.3	Vpp
MCU	STM32F746	N/A
Flash Memory	16	MB
SDRAM Frequency	108	MHz
LCD display size	7.0	inch
Dot Matrix	1024 x RGB x 600(TFT)	dot
Module dimension	184.1(W) x 103.8(H) x 22(D)	mm
Active area	154.2144 x 85.92	mm
Dot pitch	0.1506 x 0.1432	mm
Brightness	Min: 800; Typ: 850	cd/m ²
LCD type	TFT, Normally Black, Transmissive	
View Direction	85/85/85/85	
Aspect Ratio	16:9	
Touch Panel	With PCAP	
Surface	Glare	

Contour Drawing



The non-specified tolerance of dimension is ±0.3mm.

Absolute Maximum Ratings

Item	Symbol	Min	Typ	Max	Unit
Operating Temperature	TOP	-20	—	+70	°C
Storage Temperature	TST	-30	—	+80	°C

Electrical Characteristics

Item	Symbol	Condition	Min	Typ	Max	Unit
Supply Voltage	VIN	—	5	12	16	V
Supply current	I(mA)	—	—	675	—	mA

BOM

Item	Description
LCM	WF70A8SYAHLNGB#
PCBA	SV10007R00AAA00N0105

Interface

CON2 definition:

Pin	Symbol	Function	Remark
1	VIN	Power supply V+	Input
2	GND	Power supply GND input	Input
3	CAN_H	CAN bus D+	I/O
4	CAN_L	CAN bus D-	I/O
5	GND	Power supply GND input	Input
6	GND	Power supply GND input	Input
7	NC	—	—
8	NC	—	—
9	Reserve	—	—
10	Reserve	UART RX interface(Reserve)	Reserve
11	Reserve	UART TX interface(Reserve)	Reserve
12	GND	GND	GND
13	Reserve	—	—
14	NC	—	—
15	NC	—	—
16	GND	GND	GND

CON3 definition:

Pin	Symbol	Function	Remark
1	VDD3V	3.3V power for JTAG interface	Output
2	JTAG_SWCLK	CLK pin for JTAG interface	Input
3	GND	GND for JTAG interface	Output
4	JTAG_SWDIO	Data pin for JTAG interface	I/O
5	NRST	Reset pin for JTAG interface	Input
6	GND	GND	Output
7~16	NC	—	—