



WINSTAR Display Co.,Ltd.
華凌光電股份有限公司



SPECIFICATION

MODEL NO. : WLOF00035000XGDAASA00

Summary

3.5 Inch Smart Display Feature

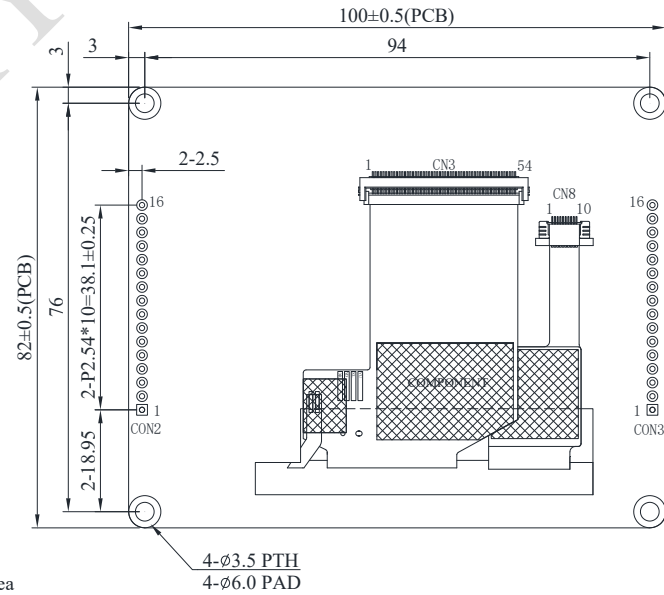
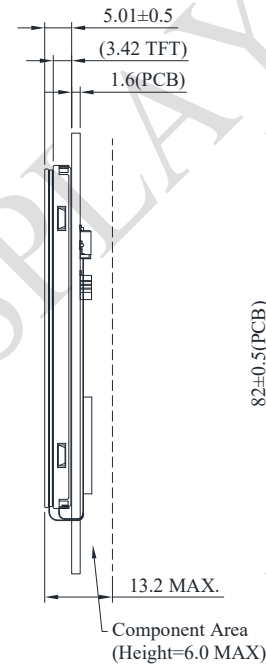
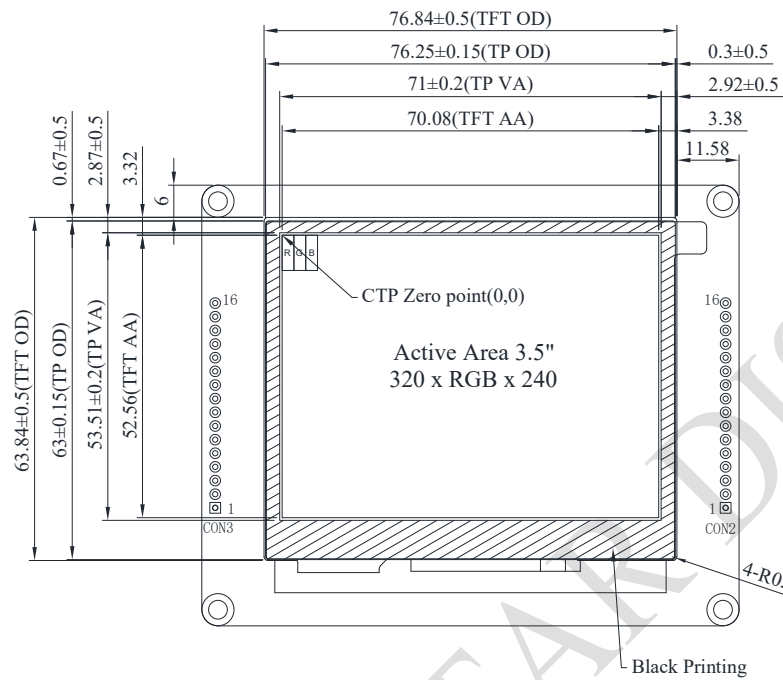
1. DC 5V~24V working voltage and low power consumption.
2. Self testing after booting function.
3. RS485 communication interface.
4. Built in flash memory, store the font and Object Dictionary Data.
5. Support capacitive touch panel (CTP).
6. Embedded buzzer controlled by Master Device.
7. HOST can be used on multiple platforms, such as Computer (with USB to RS-485 Dongle), MCU.

Product information

General information

Item	Standard Value	Unit
Operating voltage	5 ~ 24	Vdc
Communication Interface	RS485 differential	N/A
MCU	STM32F750	N/A
Flash Memory	16	MB
SDRAM Frequency	108	MHz
LCD display size	3.5	inch
Dot Matrix	320× 3(RGB) × 240	dot
Module dimension	100(W) x 82(H) x 13.2(D)	mm
Active area	70.08(W) x 52.56(H)	mm
Pixel pitch	0.219 x 0.219	mm
Brightness	Min: 300; Typ: 400	
LCD type	TFT, Normally Black, Transmissive	
View Direction	80/80/80/80	
Aspect Ratio	4:3	
Touch Panel	With CTP	
Surface	Glare	

Contour Drawing



CON3	
PIN	SYMBOL
1~10	Reserved
11	SWDO
12	NRST
13	SWDI
14	GND
15	SWCLK
16	+3V3

CON2	
PIN	SYMBOL
1	GND
2	RS485_A
3	RS485_B
4~14	Reserved
15	GND
16	VIN

The non-specified tolerance of dimension is $\pm 0.3\text{mm}$.

Absolute Maximum Ratings

Item	Symbol	Min	Typ	Max	Unit
Operating Temperature	TOP	-30	—	+85	°C
Storage Temperature	TST	-30	—	+85	°C

Electrical Characteristics

Item	Symbol	Min	Typ	Max	Unit
Supply Voltage	VIN	5	12	24	V
Supply Current	ICC	-	150	-	mA

BOM

Item	Description
LCM	WF35XTWACDNG0#
PCBA	SV100035000XA00N0103

Interface

CON2 definition:

Pin	Symbol	Function	Remark
16	VIN	Power +5V~24V	Input
15	GND	Power GND	Input
14-4	Reserved	--	--
3	RS485_B	RS485 DATA-	I/O
2	RS485_A	RS485 DATA+	I/O
1	GND	Power supply GND input	Input

CON3 definition:

Pin	Symbol	Function	Remark
16	+3V3	3.3V power for JTAG interface	Output
15	SWCLK	CLK pin for JTAG interface	Input
14	GND	GND for JTAG interface	Input
13	SWDI	Data pin for JTAG interface	I/O
12	NRST	Reset pin for JTAG interface	Input
11	SWDO	Data pin for JTAG interface	I/O
10-1	Reserved	--	--