

**WINSTAR Display**

**OLED SPECIFICATION**

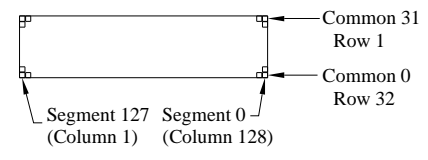
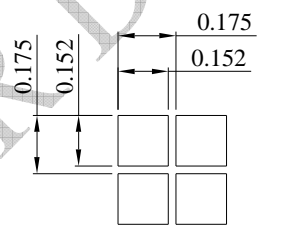
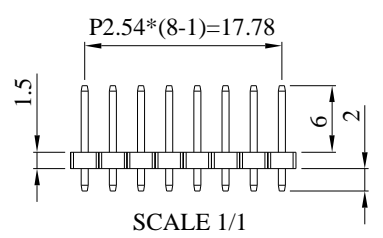
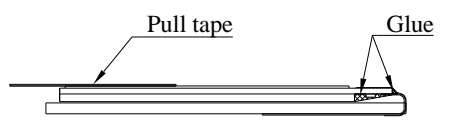
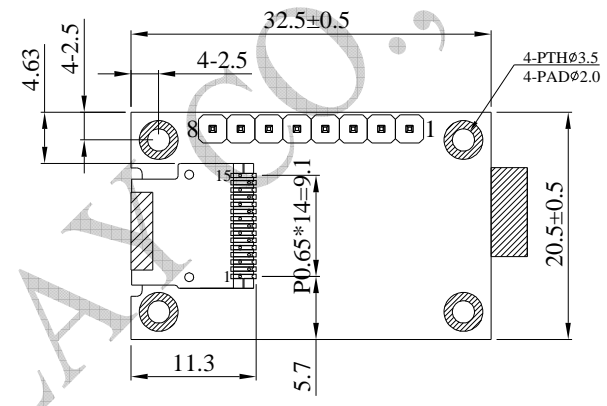
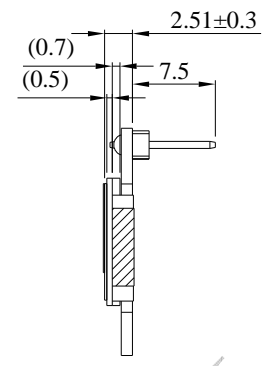
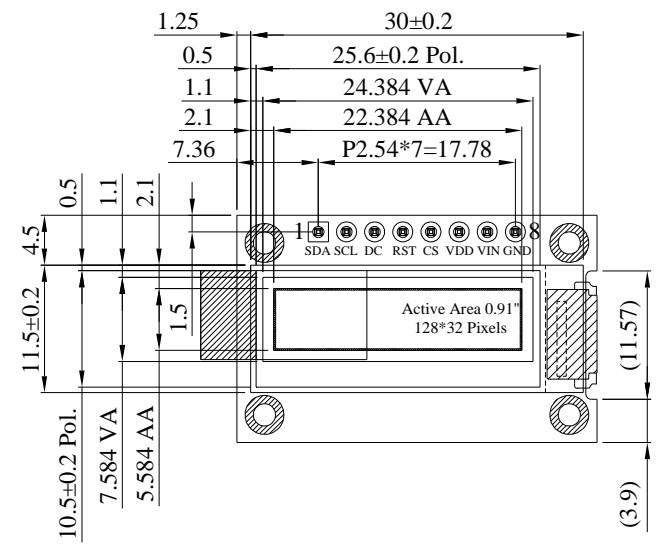
Model No:

***WEA012832D***

## General Specification

Item	Dimension	Unit
Dot Matrix	128 x 32 Dots	—
Module dimension	32.5× 20.5 × 2.51	mm
Active Area	22.384×5.584	mm
Pixel Size	0.152 × 0.152	mm
Pixel Pitch	0.175 × 0.175	mm
Display Mode	Passive Matrix	
Display Color	Monochrome	
Drive Duty	1/32Duty	
IC	SSD1306BZ	
Interface	SPI	
Size	0.91 inch	

# Contour Drawing & Block Diagram



PIN	SYMBOL
1	SDA
2	SCL
3	DC
4	RST
5	CS
6	VDD
7	VIN
8	GND

The non-specified tolerance of dimension is ±0.3 mm .

## Interface Pin Function

No.	Symbol	Function
1	SDA	The I2C mode is selected, D2, D1 should be tied together and serve as SDAout, SDAin in application and D0 is the serial clock input, SCL.
2	SCL	
3	DC	In I2C mode, this pin acts as SA0 for slave address selection. When 3-wire serial interface is selected, this pin must be connected to VSS.
4	RST	This pin is reset signal input. When the pin is pulled LOW, initialization of the chip is executed. Keep this pin HIGH (i.e. connect to VDD) during normal operation.
5	CS	This pin is the chip select input. (active LOW).
6	VDD	2.8 ~ 3.3V Power supply pin for core logic operation.
7	VIN	4.8 ~ 5.2V Power supply pin for core logic operation.
8	GND	This is a ground pin.

## Absolute Maximum Ratings

Parameter	Symbol	Min	Max	Unit
Supply Voltage for Logic	VDD	1.65	3.3	V
Supply Voltage for Logic	VIN	4.0	6.0	V
Supply Voltage for Display	VCC	0	16.0	V
Operating Temperature	TOP	-40	+80	°C
Storage Temperature	TSTG	-40	+85	°C

# Electrical Characteristics

## DC Electrical Characteristics

Item	Symbol	Condition	Min	Typ	Max	Unit
Supply Voltage for Logic	VDD	—	2.8	3.0	3.3	V
Supply Voltage for Logic	VIN	—	4.8	5.0	5.2	V
Supply Voltage for Display	VCC	—	7.0	7.5	8.0	V
Input High Volt.	VIH	—	0.8×VDD	—	VDDIO	V
Input Low Volt.	VIL	—	0	—	0.2×VDD	V
Output High Volt.	VOH	—	0.9×VDD	—	VDDIO	V
Output Low Volt.	VOL	—	0	—	0.1×VDD	V
50% Check Board operating Current	ICC	Vcc=7.5V	—	13.0	26.0	mA