

WINSTAR Display

OLED SPECIFICATION

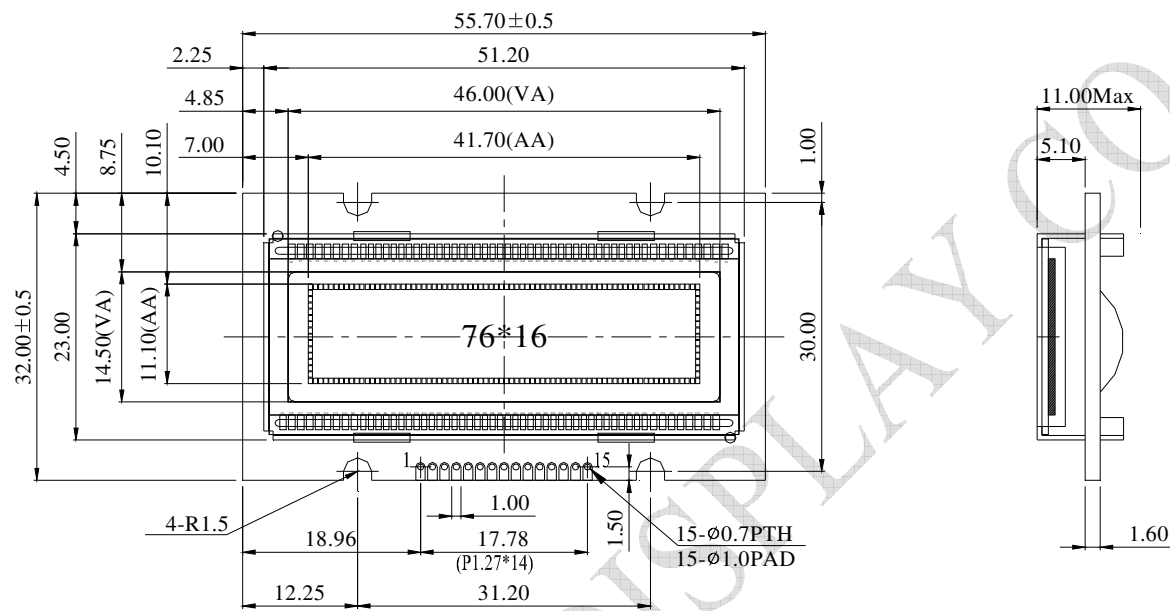
Model No:

WEG007616A

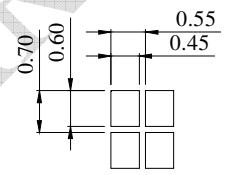
General Specification

| Item | Dimension | Unit |
|------------------|-------------------------|------|
| Dot Matrix | 76*16 Dots | — |
| Module dimension | 55.7 x 32.0 x 11.0(MAX) | mm |
| View area | 46.0 x 14.5 | mm |
| Active area | 41.7 x 11.1 | mm |
| Dot size | 0.45 x 0.60 | mm |
| Dot pitch | 0.55 x 0.70 | mm |
| Panel Type | OLED , Monochrome | |
| Duty | 1/16 | |
| IC | WS0010-TX | |
| Interface | 6800, option 8080, SPI | |
| Size | 1.7 inch | |

Contour Drawing & Block Diagram



| PIN NO. | SYMBOL |
|---------|--------|
| 1 | VSS |
| 2 | VDD |
| 3 | NC |
| 4 | RS |
| 5 | R/W |
| 6 | E |
| 7 | DB0 |
| 8 | DB1 |
| 9 | DB2 |
| 10 | DB3 |
| 11 | DB4 |
| 12 | DB5 |
| 13 | DB6 |
| 14 | DB7 |
| 15 | NC |



DOT SIZES
SCALE 10/1

The non-specified tolerance of dimension is ±0.3 mm .

Interface Pin Function

| Pin No. | Symbol | Level | Description |
|---------|--------|-------|--|
| 1 | VSS | 0V | Ground |
| 2 | VDD | 5.0V | Supply Voltage for logic |
| 3 | NC | — | |
| 4 | RS | H/L | H: DATA, L: Instruction code |
| 5 | R/W | H/L | H: Read(Module→MPU) L: Write(MPU→Module) |
| 6 | E | H,H→L | Chip enable signal |
| 7 | DB0 | H/L | Data bit 0 |
| 8 | DB1 | H/L | Data bit 1 |
| 9 | DB2 | H/L | Data bit 2 |
| 10 | DB3 | H/L | Data bit 3 |
| 11 | DB4 | H/L | Data bit 4 |
| 12 | DB5 | H/L | Data bit 5 |
| 13 | DB6 | H/L | Data bit 6 |
| 14 | DB7 | H/L | Data bit 7 |
| 15 | NC | — | |

Absolute Maximum Ratings

| Item | Symbol | Min | Max | Unit |
|--------------------------|---------|------|-----|------|
| Operating Temperature | TOP | -40 | +80 | °C |
| Storage Temperature | TST | -40 | +85 | °C |
| Supply Voltage For Logic | VDD-VSS | -0.3 | 5.3 | V |

Electrical Characteristics

DC Electrical Characteristics

| Item | Symbol | Condition | Min | Typ | Max | Unit |
|-----------------------------------|---------|------------|---------|-----|---------|------|
| Supply Voltage For Logic | VDD-VSS | — | 4.8 | 5.0 | 5.3 | V |
| Input High Volt. | VIH | — | 0.8xVDD | — | VDD | V |
| Input Low Volt. | VIL | — | GND | — | 0.2xVDD | V |
| Output High Volt. | VOH | IOH=-0.5mA | 0.8xVDD | — | VDD | V |
| Output Low Volt. | VOL | IOL=0.5mA | GND | — | 0.2xVDD | V |
| 50% Check Board Operating Current | IDD | VDD=5V | — | 38 | 57 | mA |