



WINSTAR Display Co.,Ltd.
華凌光電股份有限公司



Winstar Display Co., LTD

華凌光電股份有限公司



WEB: <https://www.winstar.com.tw> E-mail: sales@winstar.com.tw

SPECIFICATION

MODULE NO.: WF35PTIBCDBG0#

General Specifications

Item	Dimension	Unit
Size	3.5	inch
Dot Matrix	320 x RGB x 240	dots
Module dimension	93.5 x 66.44 x 10.19	mm
Active area	70.08 x 52.56	mm
Dot pitch	0.073 x 0.219	mm
LCD type	TFT, Normally White, Transmissive	
View Direction	12 o'clock	
Gray Scale Inversion Direction	6 o'clock	
Aspect Ratio	4:3	
Backlight Type	LED, Normally White	
Controller IC	RA8875 or Equivalent	
TFT Interface	Digital 8080 family MPU	
PCAP IC	ILI2130 or equivalent	
PCAP Interface	I2C	
PCAP FW Version	0x07.0x00.0x00.0x00.0x00.0x35.0x5A.0x01	
PCAP Resolution	16384*16384	
Touch Panel	With PCAP	
Surface	Glare	

*Color tone slight changed by temperature and driving voltage.

Absolute Maximum Ratings

Item	Symbol	Min	Typ	Max	Unit
Operating Temperature	TOP	-20	—	+70	°C
Storage Temperature	TST	-30	—	+80	°C

Electrical Characteristics

Operating conditions: (CON2.Pin1=GND, Pin2=VDD)

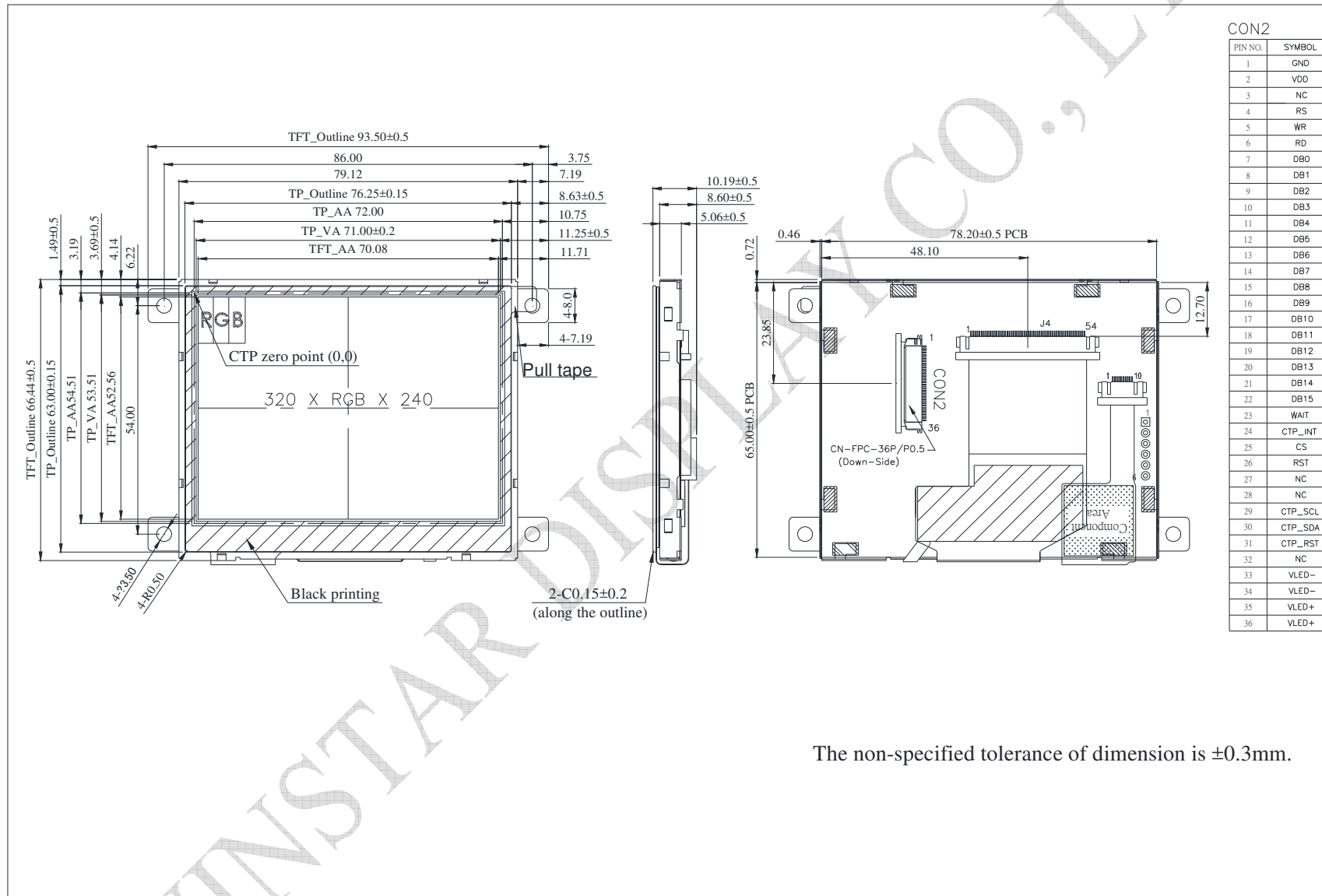
Item	Symbol	Condition	Min	Typ	Max	Unit
Supply Voltage For LCM	VDD	-	3.0	3.3	3.6	V
Supply Current For LCM	IDD	-	-	50	75	mA
Power Consumption		-	-	165	270	mW

Interface

LCM PIN Definition (CON2)

Pin	Symbol	Function
1	GND	System ground
2	VDD	Power Supply : +3.3V
3	NC	No connect
4	RS	Data/Command select
5	WR	Write strobe signal
6	RD	Read strobe signal
7~22	DB0~DB15	Data bus
23	WAIT	Wait Signal Output(H:active)
24	CTP_INT	CTP Interrupt Signal From Touch Panel Module To Host
25	CS	Chip select
26	RST	Hardware reset
27	NC	No connect
28	NC	No connect
29	CTP_SCL	CTP Serial IIC Clock
30	CTP_SDA	CTP Serial IIC Data
31	CTP_RST	CTP Reset Signal
32	NC	No connect
33~34	VLED-	Power for LED backlight cathode
35~36	VLED+	Power for LED backlight anode

Contour Drawing



The non-specified tolerance of dimension is ±0.3mm.