

Nov., 2016

2016 Electronica Exhibition End Off Good Results

Thank you for all the visits to stop by Winstar booth at 2016 Electronica Munich Exhibition. Winstar demonstrated our products and technology through the entire Electronica Tradeshow. Most of visits were deeply impressed by the display panorama with Winstar TFT & OLED approach and solutions.

We were encouraged by the customers' feedback to our OLEDs, TFT and Embedded System products and we will release more and more OLED, TFT and Embedded items to fit for the customers' applications. We enjoyed the visit of customer already making business with us as they appreciate our continuous effort in leading the display market for the industrial and consumer applications. Again, we would like to thank all of the customers for your continuous support; we will keep working on our effort to make Winstar Great and Best ever in the global market of small & medium sized displays.

 **electronica** 2016
inside tomorrow

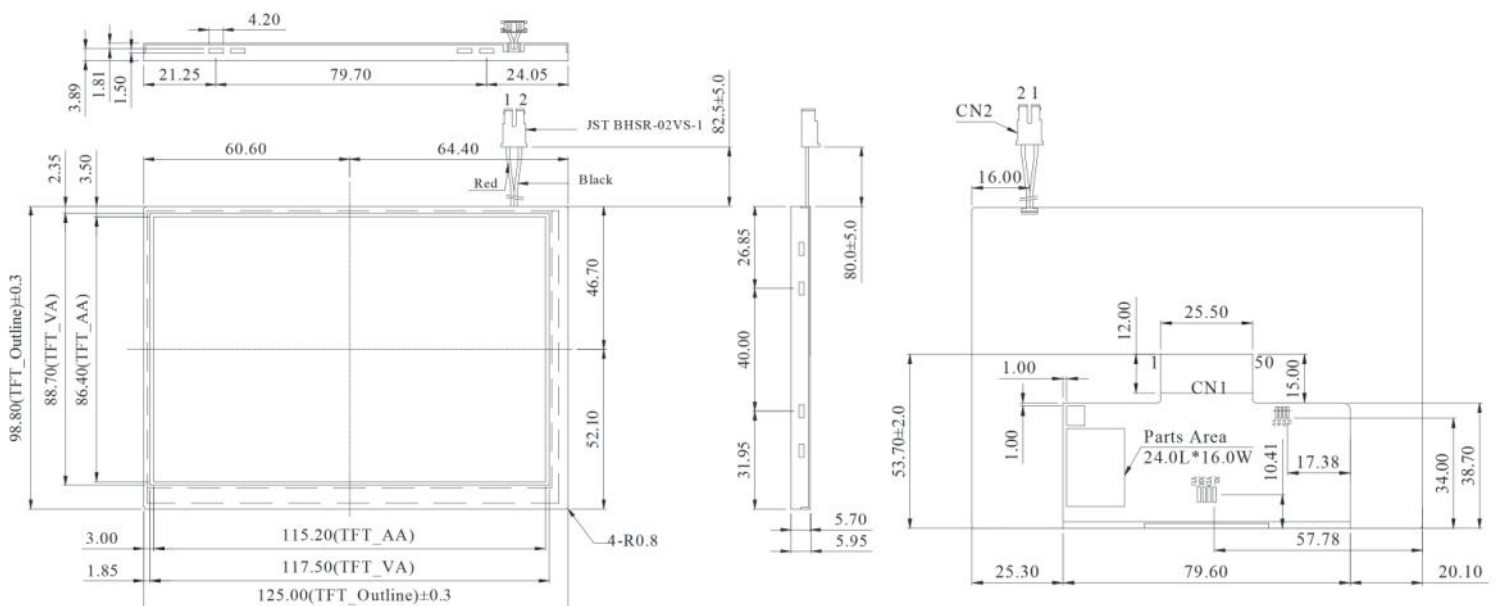
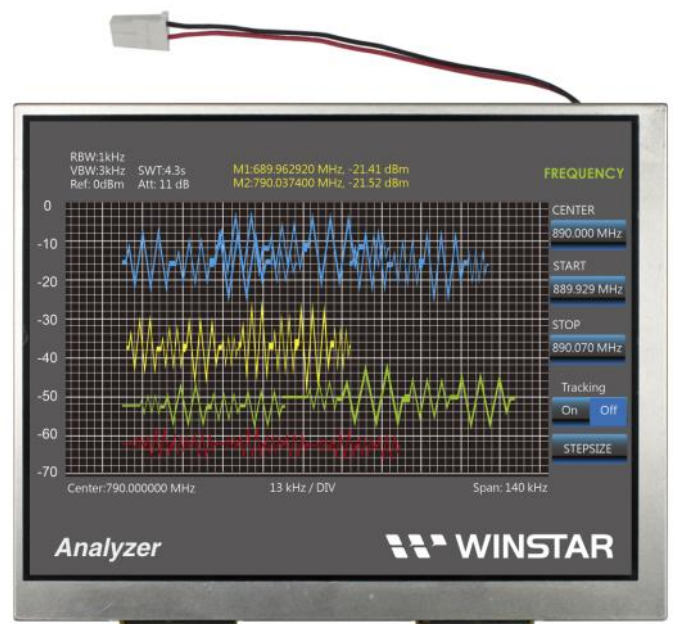
► [Link to YouTube Exhibition Highlights](#)

Product Introduction - 5.7 inch TFT-LCD WF57F

Winstar Display standard TFT module WF57F is featured with VGA 640 x 480 resolution. This display has the outline dimension of 125.0 x 98.8 x 5.95 mm (without FPC) and Active Area size of 115.2 x 86.4 mm. The WF57F display is available with Capacitive Touch Panel (CTP) and Resistive Touch Panel (RTP) options.

WF57F module is RGB interface; 6 o'clock view direction and gray scale inversion direction 12 o'clock and the panel aspect ratio is 4:3. The supply voltage range for LCM (VCC) is from 3.0V to 3.6V and the power consumption is 29.7 mW. This TFT module Brightness is from 400 ~ 500 cd/m² and it can be operating at temperatures from -20 °C to +70 °C; its storage temperature ranges from -30 °C to +80 °C.

WF57FTLAFDNN0	Dimension
Size	5.7 inch
Dot Matrix	640 x RGB x 480 (TFT)
Module dimension	125.0 x 98.8 x 5.95 mm
Active area	115.2 x 86.4 mm
Dot pitch	0.06 x 0.18 mm
LCD type	TFT, Normally White, Transmissive
View Direction	6 o'clock
Gray Scale Inversion Direction	12 o'clock
Aspect Ratio	4:3
Backlight Type	LED, Normally White
Touch Panel	RTP / CTP option
Surface	Glare



5" For HDMI Signal Touchscreen TFT Display (For Raspberry Use)- WF50BTIFGDHTX

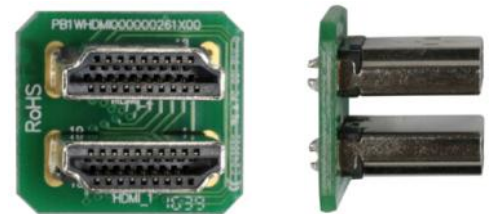
Winstar launched a new 5" for HDMI signal Interface Mini Computer Display which item No. is WF50BTIFGDHTX. This 5 inch TFT Display with Resistive Touch Panel is a mini panel-mountable display, made of resolution WVGA 800x480 dots. This WF50BTIFGDHTX comes with a control board with a HDMI signal interface and a 40-pin connector on board; it is designed to make Raspberry Pi usage become easily. This display has a USB interface Resistive Touch screen overlay on TFT panel. As to the Capacitive Touch Panel, it is still under development and will be released soon. We designed a connector part no. WWHDMI-00# for optional, the customers can use it to connect WF50BTIFGDHTX module with your Raspberry Pi directly.

This display is small and compact, you can simply to use it to work with Raspberry Pi, and also you can use this Mini Computer display with any embedded system which has a HDMI signal output. The 5" display is 800x480 resolution, which is just enough to run most software, but still small enough that it can be used in portable or embedded projects without the bulk. Please note, this product does not include an HDMI or USB cable.



Front Side:

- 5" TFT LCD
- With Resistive Touch Panel



Part No. WWHDMI-00#

- Support HDMI Connector (Only DVI Signal) for TFT module and Raspberry Pi



Back Side:

- With Controller Board
- Support HDMI Signal interface input
- RTP USB interface
- A 40-pin connector on board

Features & Specification of WF50BTIFGDHTX

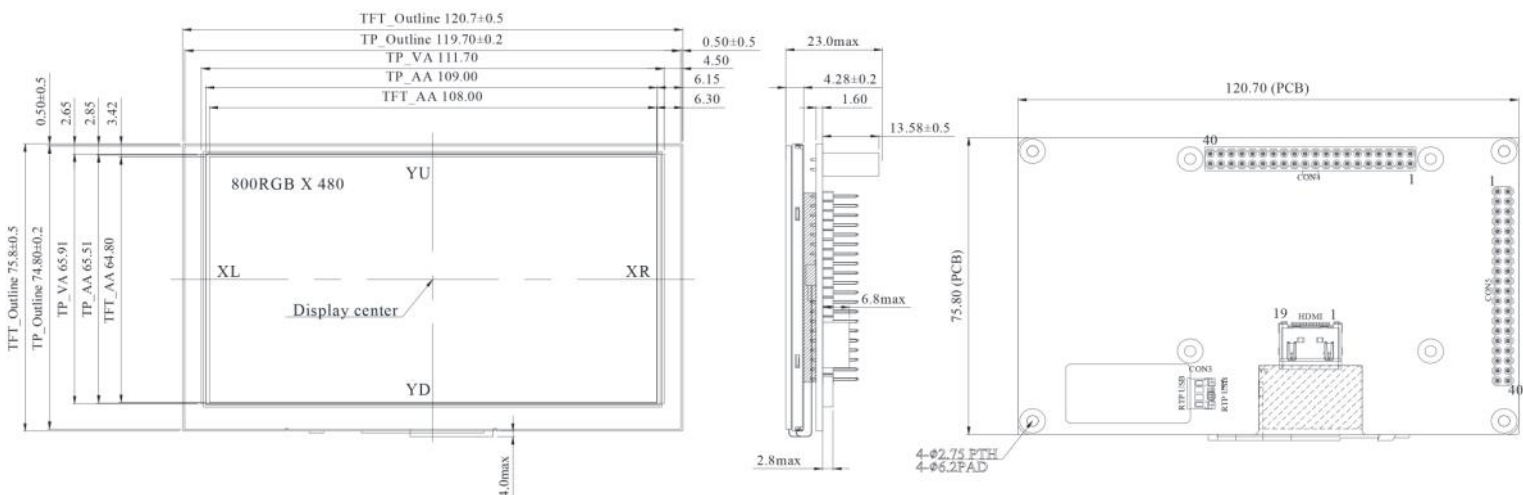
WF50BTIFGDHTX	Dimension
Size	5 inch
Dot Matrix	800 × 3(RGB) × 480
Module dimension	120.7 x 75.8 x 23.0 (Max) mm
Active area	108.0 x 64.8 mm
Dot pitch	0.045 x 0.135 mm
LCD type	TFT, Normally White, Transmissive
View Direction	12 o'clock
Gray Scale Inversion Direction	6 o'clock
Aspect Ratio	16:9
Backlight Type	LED, Normally White
Controller IC	TFP401
Interface	Support HDMI Connector (Only DVI Signal)
Touch Panel	RTP (USB interface), without TP optional CTP under development
Surface	Anti-Glare

Features:

- ▶ Good touch response
- ▶ Fast response time
- ▶ Support Raspberry Pi GPIO
- ▶ Support mini-PCs, it can work as a computer monitor
- ▶ Support RTP with USB interface
- ▶ Support CTP option (will be released soon)
- ▶ Without Touch panel option is available
- ▶ Support HDMI Connector (Only DVI Signal) for TFT module with Raspberry Pi optional

Specifications:

- ▶ 5 inch TFT Resistive touch screen display
- ▶ 800x480 Resolution
- ▶ Support HDMI signal input
- ▶ Support 40 pins GPIO
- ▶ USB touch and power, 5V@1A
- ▶ Refresh rate : 60HZ
- ▶ Operating Temperature: 0°C to +70°C
- ▶ Storage Temperature: 0°C to +80°C



The non-specified tolerance of dimension is ±0.3 mm .