

Taiwan, Dec, 2015

Christmas is a good time to think about all we have to be thankful for. We would like to take this opportunity to thank you for your valuable collaboration during all these years. Winstar Display would not have come to this success without your support and business. And we are very proud to be and continue being part of your success. We wish you all a Merry Christmas and a Happy New Year!

In this issue, we will introduce Winstar 3.5" O-film TFT, 5.0" WF50Q as well as WF57B with LVDS carrier Board module. Welcome to read the content thru the QR code on your cell phone.

QR Code - News issue no. 86



Shipping Arrangement before Stocktaking & Holiday Notice

Winstar Display will have yearly stocktaking from December 30 thru 31, 2015 for the Taiwan and China plants. Please note that all the shipping arrangement during this period will be forbidden. Winstar Display Taiwan and China offices will be closed from January 1 thru January 3, 2016 for the New Year Holiday. We will resume to work on January 4, 2016. Please notice the shipping date before and after holidays.

Below is the last shipping date and the first shipping date for this period as reference. Please work with our Winstar sales closely before the stocktaking and holiday if your shipment might be affected. Thank you.

Shipping From Taiwan

- ▶ Last shipping date: December 29, 2015
- ▶ First shipping date: January 4, 2016

Shipping From China

- ▶ Last shipping date: December 28, 2015
- ▶ First shipping date: January 4, 2016

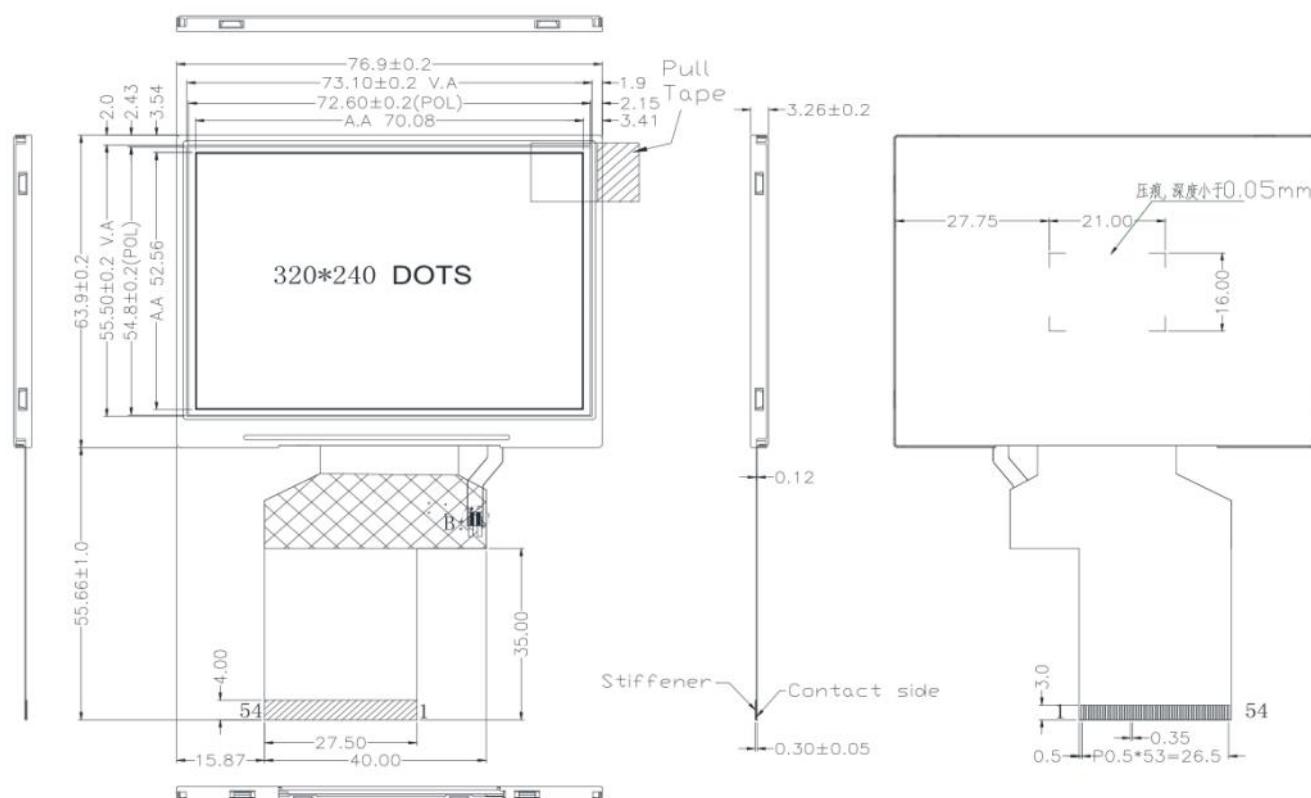
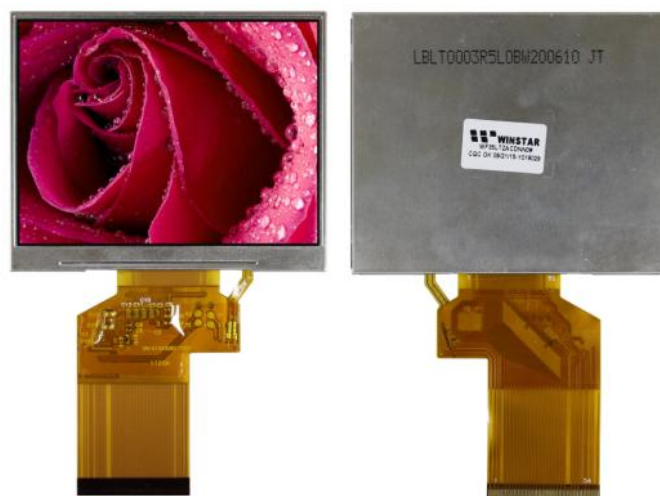


Product Introduction - O-Film TFT WF35L

Winstar Display offers a series of medium size O-Film TFT displays featuring with wider viewing angle Technology. This issue, we will introduce 3.5" TFT WF35L with O-film modules. Most industrial application of TFT-LCD glasses that are available in the market are TN-LCD type. However, TN technology suffers from phenomenon called gray scale inversion. This means the display have one viewing side in which color of the image change suddenly after exceeding specified view angle. Therefore, the normal TFT models we offer which the viewing angle are limited. Winstar offers an O-Film TFT solution to enhance TN glass viewing angle and can overcome gray scale inversion.

The WF35L O-Film display is with the module dimension of 76.9 x 63.9 mm and AA size of 70.08 x 52.56 mm. Below is the basic specification of WF35L O Film TFT as reference. For more detailed information regarding O-Film TFT displays technology, please check out Winstar News issue No.76, No79, or No.80.

Item-WF35L O-film	Dimension
Size	3.5 inch
Dot Matrix	320 x RGBx240(TFT)
Module dimension	76.9(W) x 63.9(H) x 3.26(D)
Active area	70.08 x 52.56
Dot pitch	0.073 x 0.219
LCD type	TFT, Normally White, Transmissive
Backlight Type	LED, Normally White
Touch Panel	CTP or RTP option
Surface	Anti-Glare

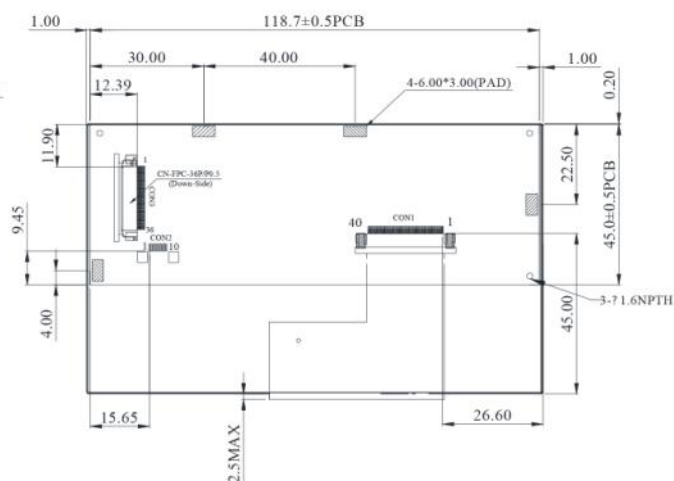
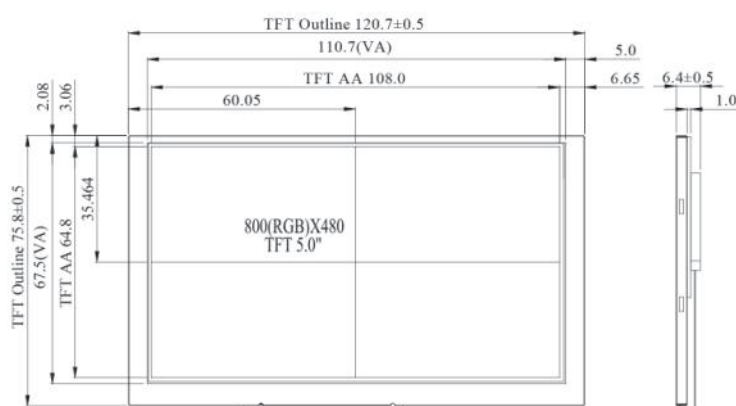


Winstar TFT Q Series - 5" WF50Q Introduction

Winstar Display already released different sizes of TFT Q Series Family including 3.5 inches, 4.3 inches, 5.7 inches, 7.0 inches, 8.0 inches and 10.2 inches TFT modules. This issue, we will line-up 5.0" WF50Q into Winstar TFT Q Series Family.

The WF50Q is 5.0 inch size of Winstar TFT Q series family featured with SSD1963 controller board plus a 36 pin-out connector on board. This model is featured with 8 bit or 16 bit options and already defined pin no. 33 ~ 36 as backlight supply; therefore, the customers no need to design extra backlight circuit. This display is with the module dimension of 120.7 x 75.8 mm and AA size of 108.0 x 64.8mm. Below is the basic specification of WF50Q as reference. If you need further information regarding the advantages of TFT Q Series, please check Winstar News Issue No. 68.

Item-WF50Q	Dimension
Size	5 inch
Dot Matrix	800 × 3(RGB) × 480
Module dimension	120.7 x 75.8 x 6.4
Active area	108.0 x 64.8
Dot pitch	0.045 x 0.135
LCD type	TFT, Normally White, Transmissive
View Direction	12 o'clock
Gray Scale Inversion Direction	6 o'clock
Backlight Type	LED, Normally White
Controller IC	SSD1963
Interface	Digital 8080 family MPU 8bit/16bit
Touch Panel	CTP or RTP option
Surface	Anti-Glare





Winstar TFT WF57B with LVDS Carrier Board

Winstar 5.7" TFT WF57B is a very popular model in our TFT product line. Winstar offers a WF57B type featured with a Carrier Board with LVDS interface display module. LVDS is already common place across a variety of applications particularly in industrial and consumer markets and further adoption of LVDS in embedded applications will continue.

Winstar WF57B has an extended module with a carrier board featuring LVDS (low-voltage differential signal) data interface. The module dimension is 160.0 x 109.0 mm and the AA size is 115.20 x 86.40 mm. This carrier board also has the POWER BOARD function as option. The users can choose FPC or cable connector for their applications.

Item-WF57B LVDS	Dimension
Size	5.7 inch
Dot Matrix	320 x RGBx240(TFT)
Module dimension	16.0(W) x 109.00(H) x 11.5(D)
Active area	115.20 x 86.40
Dot pitch	0.12 x 0.36
LCD type	TFT, Normally White, Transmissive
View Direction	12 o'clock
Gray Scale Inversion Direction	6 o'clock
Backlight Type	LED, Normally White
Touch Panel	CTP or RTP option
Surface	Glare

