

Taiwan, Oct, 2015

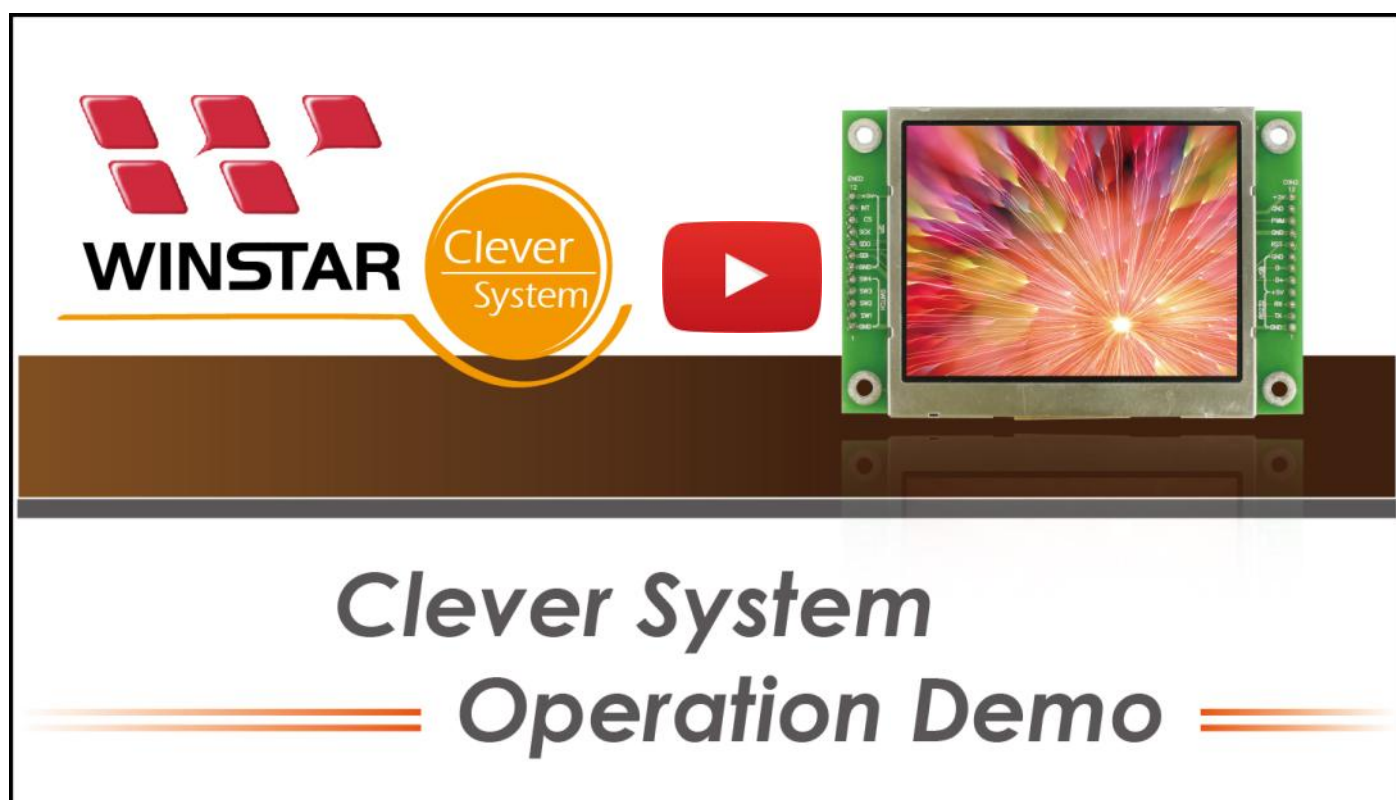
Welcome to read Winstar Newsletter issue no.85. In this issue, we will introduce the Winstar 7.0" TFT WF70P and 10.1" TFT WF101A as well as the demo video of TFT Clever System and recommend OLED models for wearable devices. Welcome to read the content thru the below QR code on your cell phone.

QR Code - News issue no. 85

Operation Video for Winstar TFT Clever

Winstar Display already released a series of TFT Clever System modules (TFT M Series) for different TFT sizes in a row. In order to assist the customers have better understanding to operate Winstar TFT Clever System modules, our FAE Dept. produced a demonstration video to show customers the key procedures on how to use Winstar Clever System modules. Welcome to watch video via the below click or you can watch the video on Winstar YouTube official channel, Winstar Website, Google + or LinkedIn Company page

- ▶ [Link to Winstar Web Videos page](#)
- ▶ [Link to Winstar Google+ page](#)
- ▶ [Link to Winstar LinkedIn page](#)
- ▶ [Link to Winstar YouTube page](#)



The banner features the Winstar logo on the left, followed by a circular 'Clever System' logo, a red YouTube play button icon, and a photograph of a TFT Clever System module displaying a colorful starburst pattern. Below these elements, the text 'Clever System Operation Demo' is displayed in a large, bold, sans-serif font, flanked by two horizontal orange lines.

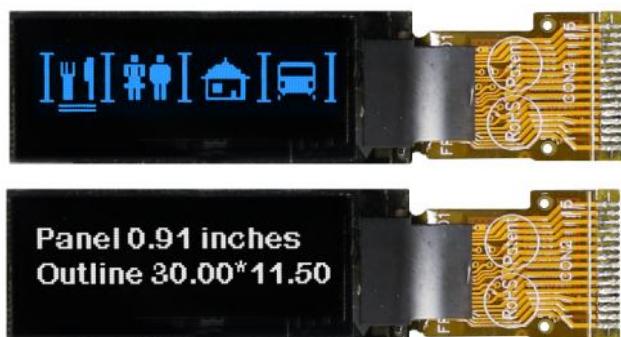
Recommend OLED Models for Wearable Devices

In 2015, the wearable technology has become a thriving industry and smart watch is one of the popular products. Winstar Display already released many OLED display modules which are very suitable for wearable devices. We most recommend below two OLED models WEO012832D and WEO012864D for your options.

Model No.	Size	Outline Dimension	Viewing Area	Active Area	Dot Size	Dot Pitch	Power Supply	Duty	Interface	IC
WEO012832D	0.91"	30.00x11.50	24.384x7.584	22.384x5.584	0.152x0.152	0.175x0.175	3V	1/32	SPI	SSD1306BZ
WEO012864D	0.96"	26.7x19.26	23.938x12.058	21.738x10.858	0.148x0.148	0.17x0.17	3V	1/64	6800,8080,SPI,I2C	SSD1306BZ

0.91" 128x32 WEO012832D

0.96" 128x64 WEO012864D



Application examples for WEO012832D & WEO012864D --



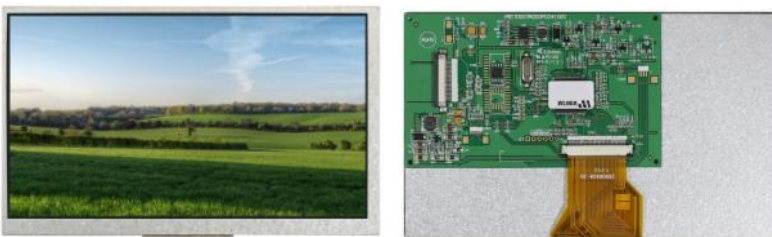
Winstar TFT P Series - 7.0" WF70P Introduction

WF70P is the 7.0 inches of Winstar TFT P series family. The WF70P is a WF70G extended model which is with RA8875 controller board plus a 36 pin-out connector on board. This model is featured with 8 bit or 16 bit options and already defined pin no. 33 ~ 36 as backlight supply on a integrated 36 pin-out connector ; therefore, the customers no need to design extra backlight circuit. This display is with the module dimension of 165.0 x 100.0 mm and AA size of 154.08 x 85.92 mm.

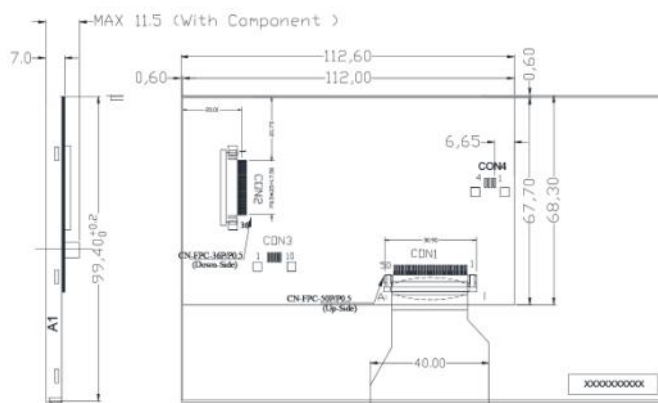
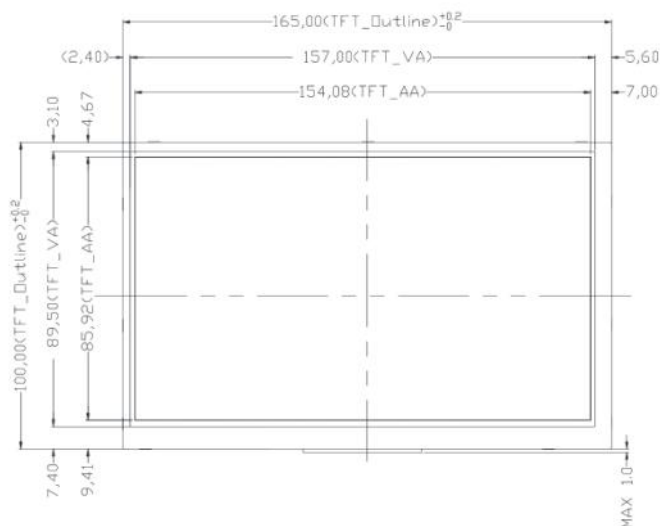
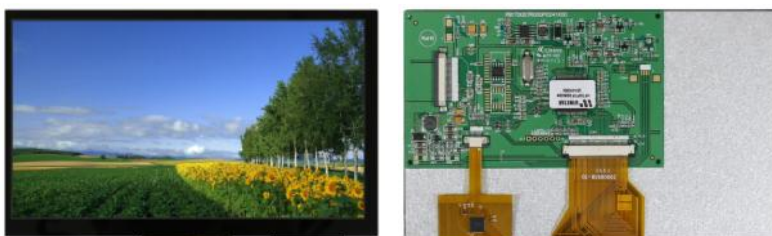
The P Series supports many important functions such as Chinese character display, backlight brightness adjustment, and touch panel driver. For more detailed introduction of P series, please check Winstar Newsletter Issue No. 75 and No. 80 or contact with our sales team. Below is the basic specification of WF70P as reference.

Item - WF70P	Dimension
Size	7 inch
Dot Matrix	800 x RGB x 480(TFT)
Module dimension	165.0(W)x100.0(H)x11.5(D) mm
Active area	154.08 x 85.92 mm
LCD type	TFT, Negative, Transmissive
View Direction	12 o'clock
Gray Scale Inversion Direction	6 o'clock
Backlight Type	LED, Normally White
Controller IC	RA8875
Interface	8080 family MPU 8bit/16bit
Touch Panel	CTP and RTP option
Surface	Anti-Glare

WF70P without Touch Panel



WF70P with Touch Panel (CTP)



Product Introduction - 10.1" WF101A

Winstar Display released a standard 10.1" LVDS TFT item no. WF101A. The model WF101A is with module dimension of 235.0 x 143.0 mm and AA size of 222.72 x 125.28 mm and the resolution is 1024 RGB x 600.

The WF101A module can be operating at temperatures from -10°C to +60°C; its storage temperatures range from -20°C to +70°C. Below is the basic specification and drawing of WF101A as reference. If you need detailed information, please contact with us.

Item-WF101A	Dimension
Size	10.1 inch
Dot Matrix	1024 RGB X 600
Module dimension	235(W) x 143(H) x 3.0(D)
Active area	222.72 (H) x 125.28(V)
Dot pitch	0.2175(W) x 0.2088(H)
LCD type	TFT, Normally White, Transmissive
View Direction	12 o'clock
Gray Scale Inversion Direction	6 o'clock
Backlight Type	LED, Normally White
Interface	LVDS
Touch Panel	Developing
Surface	Anti-Glare

