

Dec. 2020

Christmas is a good time to think about all we have to be thankful for. We would like to take this opportunity to thank you for our all customers' valuable collaboration during all these years. Due to the COVID-19 pandemic change the business operation model, we don't have any chance to visit customers or attend exhibition events this year for setting up meetings. At this challenging time for all of us, we hope you stay safe and healthy and we can continue remote working via conference call. This year, Winstar HQs has a very special Christmas Tree, this idea is coming from our CEO Dr. Venson Liao and his wife. This pile of wood logs cut down by our CEO is to present his special thankful feelings to all customers and hope that could warm up our heart at this difficult time to all of us. We wish you a safe and healthy Christmas Holiday and Happy New Year. All dreams come true! ► [Link to Video](#)



Shipping Arrangement Before Stocktaking & Holiday Notice

Winstar Display will have annual stocktaking from December 30 thru 31, 2020 for the Taiwan and China plants. Please note that all the shipping arrangement during this period will be forbidden. We will return to work on January 4, 2021 after New Year Holiday. Please notice the shipping date before and after holiday and our annual stocktaking.

Below is the last shipping date and the first shipping date for this period as reference. Please work with Winstar sales persons closely before the inventory check and holiday if your shipment might be affected. Thank you.

Shipping From China:

- Last shipping date: December 28, 2020
- First shipping date: January 4, 2021

Shipping From Taiwan:

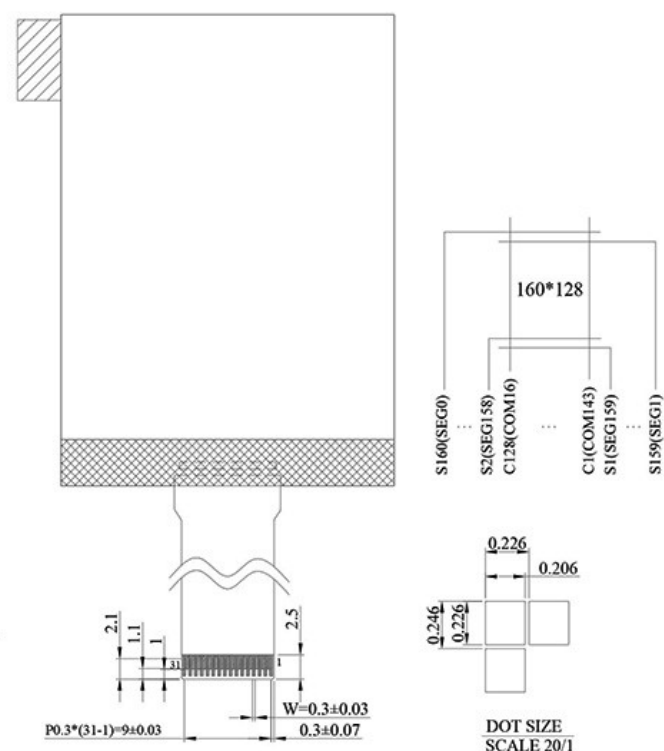
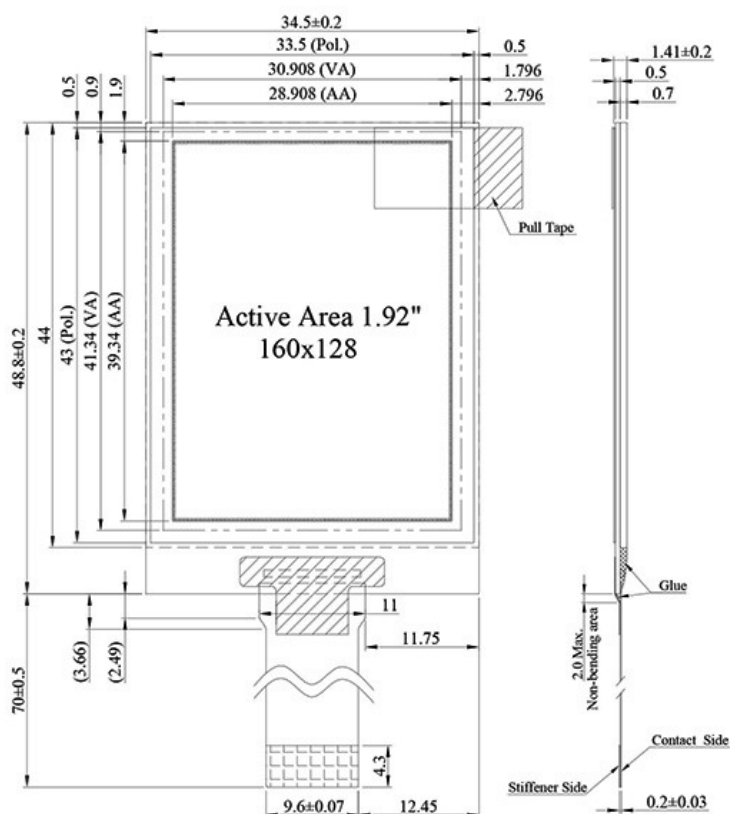
- Last shipping date: December 29, 2020
- First shipping date: January 4, 2021

1.92" COG 160x128 Graphic OLED WEO160128A

WEO160128A is a 160x128 resolution COG graphic OLED display module, diagonal size 1.92 inch. This model is built-in with SH1108 IC; it supports 6800/8080 parallel, I2C, and 4-wire SPI serial interface. The supply voltage for logic is 3V, supply voltage for display is 12V, display with 50% check board current is 23mA @ 12Vcc (typical value), driving duty 1/128.

This 1.92 inch COG Graphic OLED module is suitable for medical applications, smart home applications, smart buildings' devices (both homes and offices) and as well as control panels used to manage the lighting or heating, etc. This module can be operating at temperatures from -40°C to +80°C; its storage temperatures range from -40°C to +85°C.

WEO160128A	Dimension
Dot Matrix	160 × 128 Dots
Module dimension	34.5 × 48.8 × 1.41 mm
Active Area	28.908 × 39.34 mm
Pixel Size	0.206 × 0.226 mm
Pixel Pitch	0.226 × 0.246 mm
Display Mode	Passive Matrix
Display Color	White /Yellow
Drive Duty	1/128 Duty
IC	SH1108
Interface	6800, 8080, SPI, I2C
Size	1.92 inch

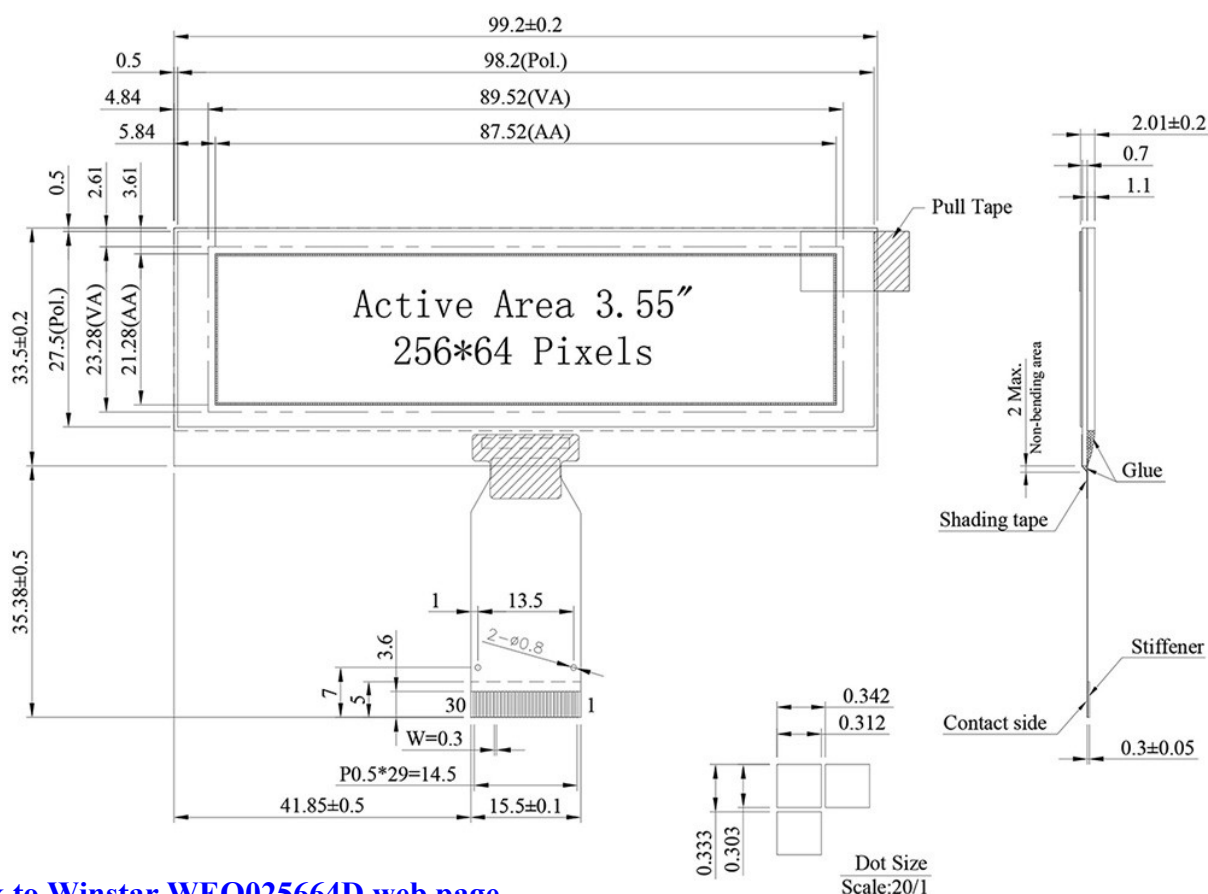


3.55" COG Graphic OLED WEO025664D

WEO025664D model is a COG type Graphic OLED; it's diagonal size 3.55 inch, made of 256x64 pixels. This WEO025664D module is built in with SSD1322 IC; it supports 6800/8080 parallel and 3-wire/4-wire SPI interface, 16 (4bits) gray scale, driving duty 1/64, supply voltage for logic is from 3.3V, supply voltage for display is 16V, the display with 50% Check board current is 35mA @16Vcc (typical value).

This OLED module is suitable for medical applications, control panel, self-checkouts machine, ticket machines, parking meters, etc. WEO025664D module can be operating at temperatures from -40°C to +80°C; its storage temperatures range from -40°C to +85°C.

WEO025664D	Dimension
Dot Matrix	256 x 64 Dots
Module dimension	99.2 x 33.5 x 2.01 mm
Active Area	87.52 x 21.28 mm
Pixel Size	0.312 x 0.303 mm
Pixel Pitch	0.342 x 0.333 mm
Display Mode	Passive Matrix
Display Color	White /Yellow
Drive Duty	1/64 Duty
Gray Scale	4 bits
IC	SSD1322
Interface	6800,8080,SPI
Size	3.55 inch

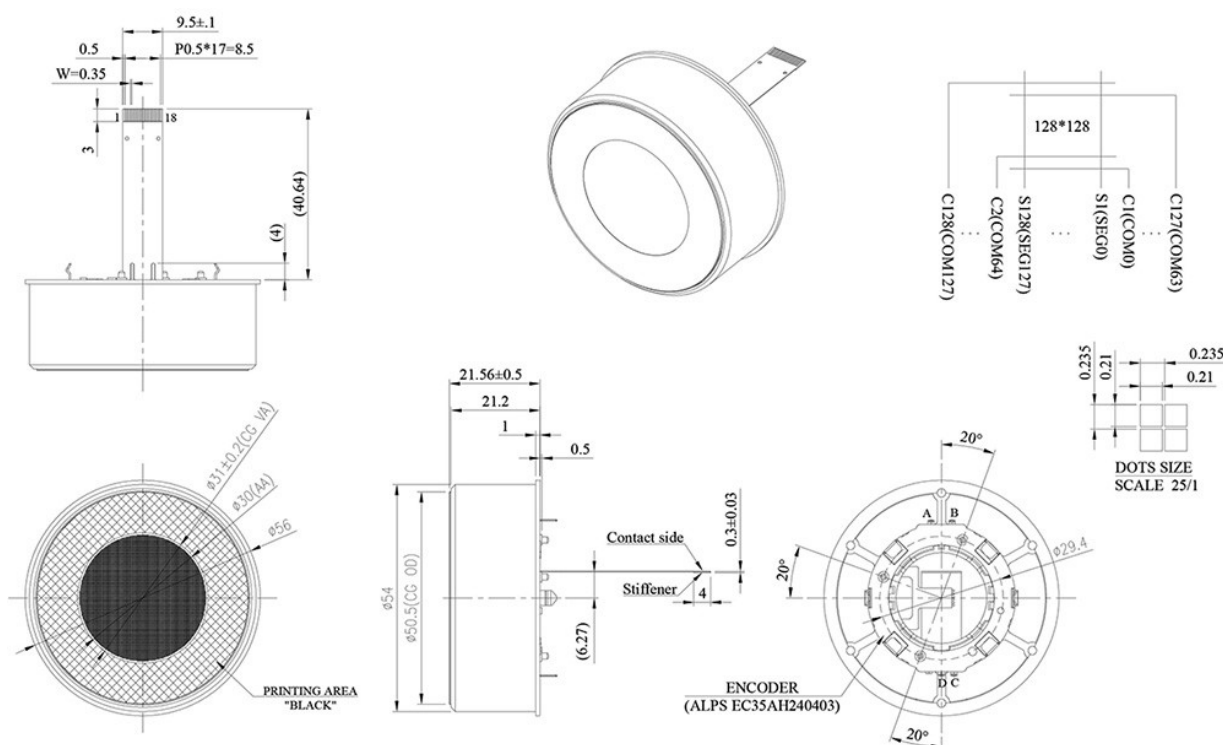


Ø1.18" Circular CTP OLED WEO128128D with Knob

The round OLED WEO128128D-CTP+Knob model is an extension item which equipped with capacitive touch screen and a control knob on module, it's an Ø1.18" circular COG type OLED display; made of resolution 128x128 dots. This module is built in with SSD1327 IC, it supports 4-line SPI and I2C interface, supply voltage for logic 3V (typical value), 1/128 driving duty. This WEO128128D-CTP+Knob model is built in with IT7259 touch panel IC on module, which supports I2C interface, one detect point for capacitive touch screen.

This round OLED extended WEO128128D model featured with capacitive touch screen and Knob is ideal for applications which required a control knob on devices such as smart home applications, intelligent technology devices, audio system, etc. This module can be operating at temperatures from -20°C to +50°C; its storage temperatures range from -30°C to +70°C.

WEO128128D-CTP+Knob	Dimension
Dot Matrix	128 x 128 Dots
Module dimension	Ø56 x 21.56 mm
Active Area	Ø30.0 mm
Pixel Size	0.210 x 0.210 mm
Pixel Pitch	0.235 x 0.235 mm
Display Mode	Passive Matrix
Display Color	White /Yellow/Sky Blue
Drive Duty	1/128 Duty
Gray Scale	4 bits
IC	SSD1327
Interface	4-line SPI , I2C
Size	Ø 1.18 inch
CTP IC	IT7259
Detect Point	1
CTP Interface	I2C
CTP Surface Hardness	6H

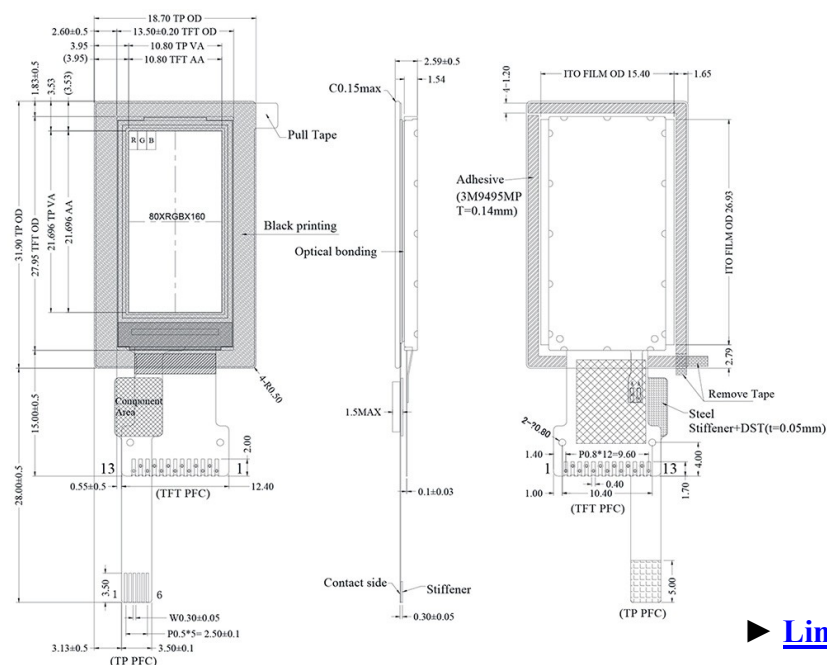


0.96" IPS TFT Optical Bonding PCAP WF0096ATYAA3DNF10

WF0096ATYAA3DNF10 is a 0.96 inch IPS TFT-LCD display featured with Optical bonding (OCA) capacitive touch screen on module, made of resolution 80x160 pixels. This 0.96 inch TFT LCD Display is portrait mode with IPS (In-Plane Switching) Panel which having the feature of wider viewing angle of Left:80 / Right:80 / Up:80 / Down:80 degree (typical) and the capacitive touch screen is adopted optical bonding technology which is a silicone Optical Clear Adhesive (OCA) process that fills air gaps between components in LCD displays, that having the advantage of increases the ruggedness of the display and improving durability to having better able to resist scratches, fluids, stains and dirt. This TFT model is built in with FT3267 touch panel IC on module, that supports I2C interface, and one detect point for capacitive touch screen.

This 0.96" TFT WF0096ATYAA3DNF10 module is built-in with ST7735S controller IC, it supports 4-wire SPI interface, supply voltage (VCC) range is from 3.0V to 3.6V, with brightness 400 nits (typical value), contrast ratio 800:1. This module is ideal for wearable devices, medical devices, etc. This module can be operating at temperatures from -20°C to +70°C; its storage temperatures range from -30°C to +80°C.

WF0096ATYAA3DNF10	Dimension
Size	0.96 inch
Dot Matrix	80 x RGB x 160 (TFT)
Module dimension	18.7(W) x 31.9(H) x 2.59(D) mm
Active area	10.8 x 21.696 mm
Dot pitch	0.135 x 0.1356 mm
LCD type	TFT, Normally black, Transmissive
Viewing Angle	80/80/80/80
Aspect Ratio	1:2
IC	ST7735S or equivalent
TFT Interface	SPI
Backlight Type	LED, Normally White
CTP Interface	I2C
CTP IC	FT3267 or equivalent
CTP FW Version	V06
Touch Panel	With PCAP
Surface	Glare

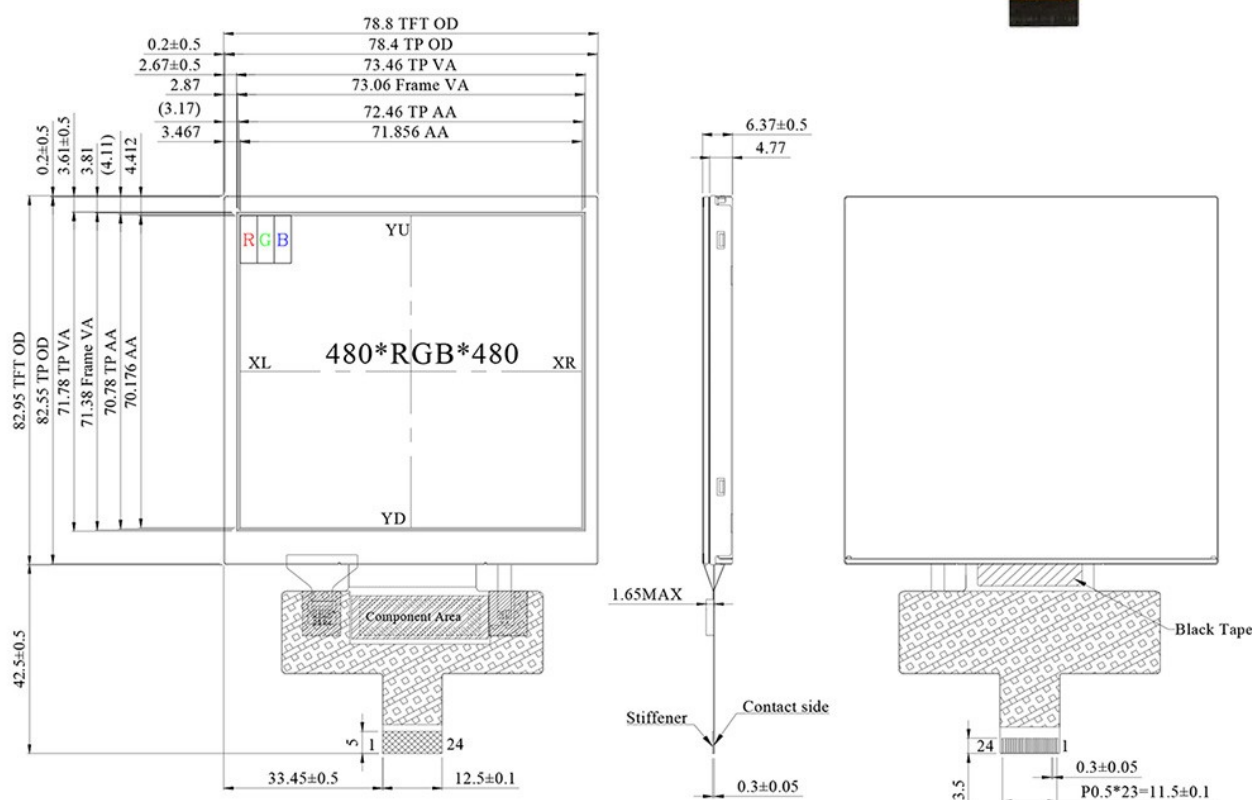


4" MIPI High Brightness IPS RTP TFT WF40ESWAA6MNT0

WF40ESWAA6MNT0 is a 4 inch High Brightness IPS TFT-LCD module; made of resolution 480 x 480 pixels. WF40ESWAA6MNT0 is a square TFT module with Resistive Touch Panel, it supports MIPI DSI Serial interface (2 lanes), featured with IPS panel which is having the advantage of wider viewing angle of Left:80 / Right:80 / Up:80 / Down:80 degree (typical), contrast ratio 800:1 (typical value), high brightness 700 nits (typical value), anti-glare surface panel, aspect ratio 1:1.

WF40ESWAA6MNT0 module is integrated driver IC ST7701S on module, the analog supply voltage range from 2.5V to 3.6V, typical value 2.8V. WF40E module can be operating at temperatures from -30°C to +80°C; its storage temperatures range from -30°C to +80°C.

WF40ESWAA6MNT0	Dimension
Size	4 inch
Dot Matrix	480×3(RGB)×480
Module dimension	78.8(H) x82.95 (W) x6.37 mm
Active area	71.856(H)x70.176 (V) mm
Pixel pitch	0.1497(H)x0.1462(V) mm
LCD type	TFT, Normally Black, Transmissive
View Direction	80/80/80/80
Aspect Ratio	1:1
Interface	2-Lanes MIPI DSI
Driver IC	ST7701S or Equivalent
Backlight Type	LED, Normally White
Touch Panel	With RTP
Surface	Anti-Glare



2020 Company Staff Travel Highlight

Autumn is a good season for traveling, especially traveling with colleagues and family, which can promote the relationship and work cooperation understanding. Due to the COVID-19 epidemic this year, most travel activities have been suspended. However, Taiwan is a treasure island, we have controlled the epidemic very well. We have taken safety considerations to organize this year's employee tour before the end of the year. Winstar is a happy company that values employee welfare, this travel inspired us to have more energy to move on for coming challenges. Thanks to the top management of Winstar Display Co. to have the company staff travel annually for all Winstar employees and family.

