

Sept, 2019

Shipping Arrangement before Taiwan & China Holidays

Winstar China Factories and China Customs will be closed from September 28 to October 7, 2019 for China National Day (Golden Week). Winstar headquarters in Taiwan will be closed from October 10 ~13, 2019 for Taiwan National Holiday. Please notice the shipping date before and after holidays. Please work with your Winstar sales person closely before the holiday if your shipment might be affected. Thank you.

Shipping From China

- ▶ Last shipping date: September 27, 2019
- ▶ First shipping date: October 8, 2019

Shipping From Taiwan

- ▶ Last shipping date: October 9, 2019
- ▶ First shipping date: October 14, 2019

Winstar Moon Festival BBQ Party

The Moon Festival is a very important holiday for Chinese people. This month, Winstar had a very big celebration party for this holiday. Traditionally, the full moon has symbolized the happiness of the people gatherings, so the Moon Festival is also regarded as reunion Festival in Taiwan. Nowadays, barbecue party has become the most popular activity for the Moon Festival. Recently, Winstar Family had a BBQ party. We had a wonderful time getting together and sharing our happiness and Winstar's bright future. We hope our happiness will bring good luck to all of you!!



▶ [Link to Festival QOB Party YouTube video](#)

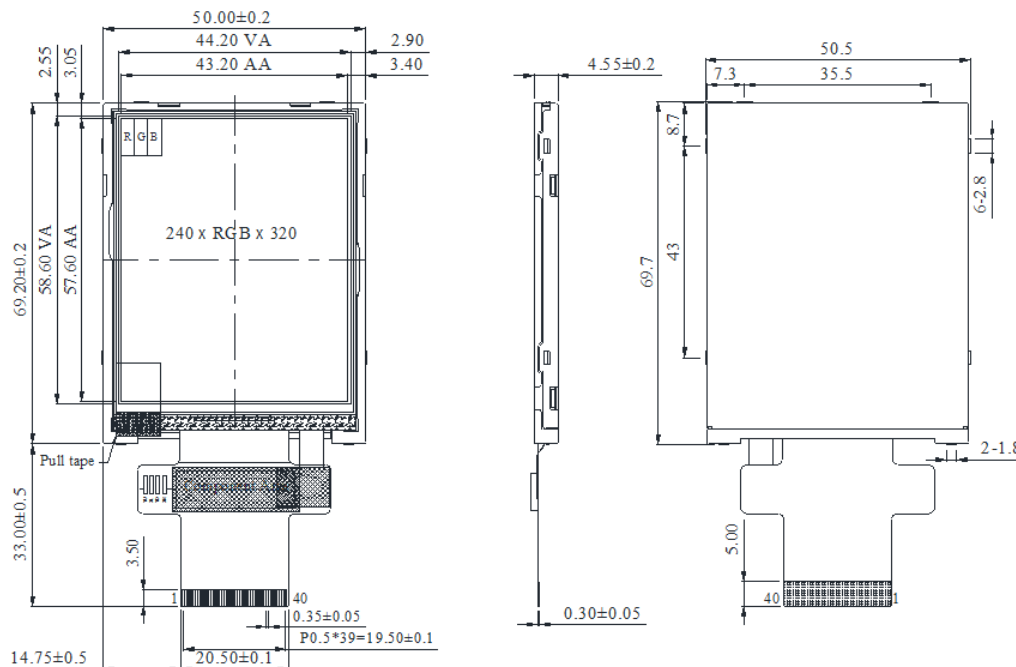


2.8 Inch IPS Portrait TFT-LCD WF28J Model

WF28J is a 2.8 inch wider view angle IPS TFT LCD module, with resolution 240x320 pixels. WF28J module is a portrait mode IPS TFT-LCD; this module is built in with ILI9341V controller IC; it supports MCU 8-bit/16-bit or SPI interface, contrast ratio 800 (typical value). WF28JSYAJDNN0 is a high brightness version which is having brightness 1000 nits (typical value). If customers do not need high brightness, customers can choose WF28JTYAJDNN0 which brightness is 500 nits (typical value). We also offer Resistive Touch Panels (RTP) and Projected Capacitive Touch Panel (PCAP) optional for WF28J model.

This 2.8" IPS TFT has a wider viewing angle than TN TFT, the view angle is Left:80 / Right:80 / Up:80 / Down:80 degree (typical value). The supply voltage for interface logic (IOVCC) of WF28J model is from 1.65V to 3.3V, supply for analog circuit is from 2.5V ~3.3V, normally black, transmissive LCD type, aspect ratio 3:4, glare surface glass. It can be operating at temperatures from -20°C to +70°C and storage temperatures from -30°C to +80°C.

Item-WF28J	Dimension
Size	2.8 inch
Dot Matrix	240 × RGB × 320(TFT)
Module dimension	50.5(W) × 69.7(H) × 4.55(D) mm
Active area	43.2 × 57.6 mm
Dot pitch	0.18 × 0.18 mm
LCD type	TFT, Normally Black, Transmissive
TFT Driver IC	ILI9341V or equivalent
TFT Interface	MCU/SPI
Viewing angle	80/80/80/80
Aspect Ratio	3:4
Backlight Type	LED, Normally White
Touch Panel	RTP/PCAP option
Surface	Glare





5 Inch IPS Landscape TFT WF50F Model

WF50F is a 5 inch IPS landscape mode TFT LCD module, with resolution 800x480 pixels. WF50F module is built in with ST7262 driver IC; it supports 24 bit RGB interface, contrast ratio 1000 (typical value). WF50FSYAGDNN0 is a high brightness version which is having brightness 1000 nits (typical value). If customers do not need high brightness, customers can choose WF50FTYAGDNN0 which brightness is 500 nits (typical value). We also offer Resistive Touch Panels (RTP) and Projected Capacitive Touch Panel (PCAP) optional for WF50F model.

This 5" IPS TFT has a wider viewing angle than TN TFT, the view angle is Left:80 / Right:80 / Up:80 / Down:80 degree (typical value). The supply voltage of WF50F model is from 3.0 to 3.6V, aspect ratio 16:9, normally black, transmissive LCD type, Anti-glare surface glass. It can be operating at temperatures from -20°C to +70°C and storage temperatures from -30°C to +80°C.

Item-WF50F	Dimension
Size	5 inch
Dot Matrix	800 × 3(RGB) × 480
Module dimension	120.7(W) × 75.8(H) × 2.8 mm
Active area	108(W) × 64.8 (H) mm
Dot pitch	0.135(W) × 0.135(H) mm
LCD type	TFT, Normally Black, Transmissive
View Direction	80/80/80/80
Aspect Ratio	16:9
Driver IC	ST7262 or equivalent
Interface	24 bit RGB
Backlight Type	LED, Normally White
Touch Panel	RTP/PCAP option
Surface	Anti-Glare

