



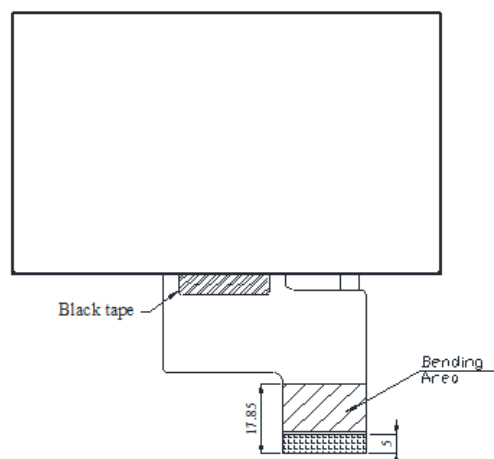
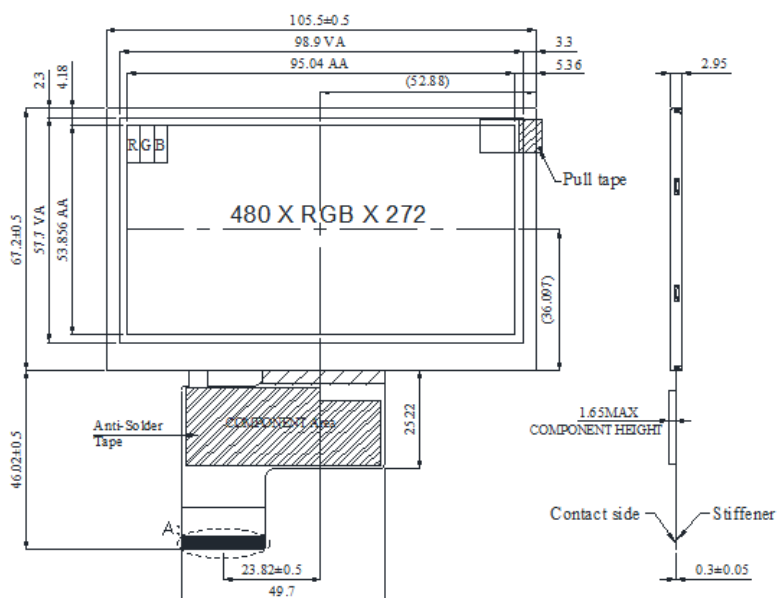
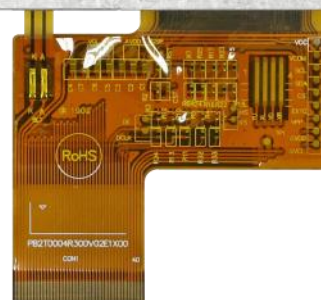
Mar, 2019

### 4.3” WQVGA (480x272) TFT-LCD WF43VTIAEDNN0

WF43VTIAEDNN0 is a color TFT LCD with WQVGA 480x272 resolution, diagonal size 4.3 inch. This TFT model is built in with ST7282-G4-1L driver IC. WF43VTIAEDNN0 supports 24-bit RGB interface; it's available for Resistive Touch Screen (RTP) and Projected Capacitive Touch Screen (PCAP) optional, as well as high brightness option for this model. WF43VTIAEDNN0 is an alternative item to replace WF43HTIAEDNNB which adopted CPT (Chunghwa Picture Tubes Ltd) TFT panel.

The supply voltage for logic (VCC) of WF43VTIAEDNN0 is from 3.1V to 3.5V, typical value 3.3V. It is featured with Glare surface panel, View Direction 12 o'clock, Gray scale inversion 6 o'clock, and aspect ratio 16:9, brightness 500 nits. It can be operating at temperatures from -20°C to +70 °C and storage temperatures from -30 to +80 °C.

WF43VTIAEDNN0	Dimension
Size	4.3 inch
Dot Matrix	480 x RGB x 272(TFT) dots
Module dimension	105.5(W) x 67.2(H) x 2.95(D) mm
Active area	95.04 x 53.856 mm
Dot pitch	0.066 x 0.198 mm
LCD type	TFT, Normally White, Transmissive
View Direction	12 o'clock
Gray Scale Inversion Direction	6 o'clock
Aspect Ratio	16:9
TFT Driver IC	ST7282-G4-1L
Interface	24-bit RGB
Backlight Type	LED, Normally White
Brightness	500 cd/m2 (typical value)
Touch Panel	PCAP / RTP optional
Surface	Glare

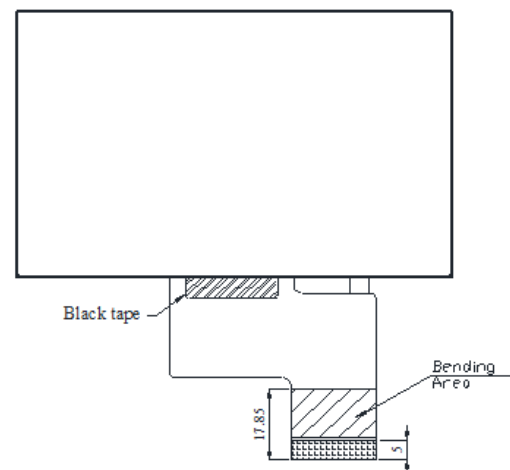
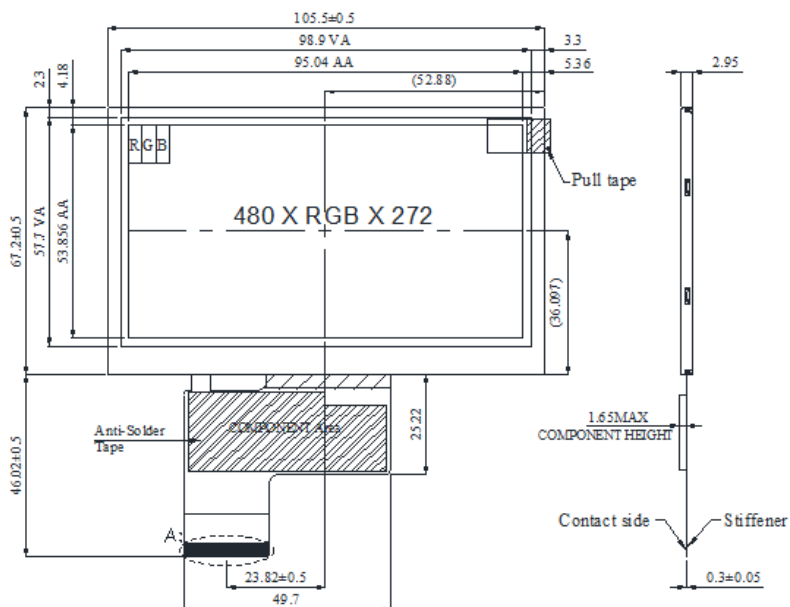


### 4.3" High Brightness TFT-LCD WF43VSIAEDNN0

WF43VSIAEDNN0 is a sunlight readable TFT LCD module with high brightness of 1000 cd/m<sup>2</sup> (typical value). WF43VSIAEDNN0 is a color TFT LCD with WQVGA 480x272 resolution, diagonal size 4.3 inch. This TFT model is built in with ST7282-G4-1L driver IC. WF43VSIAEDNN0 supports 24-bit RGB interface; it's available for Resistive Touch Screen (RTP) and Projected Capacitive Touch Screen (PCAP) optional. WF43VSIAEDNN0 is an alternative item to replace WF43HSIAEDNNB which adopted CPT (Chunghwa Picture Tubes Ltd) TFT panel.

The supply voltage for logic (VCC) of WF43VSIAEDNN0 is from 3.1V to 3.5V, typical value 3.3V. It is featured with Glare surface panel, View Direction 12 o'clock, Gray scale inversion 6 o'clock, and aspect ratio 16:9.. It can be operating at temperatures from -20°C to +70 °C and storage temperatures from -30 to +80 °C. Winstar's sunlight readable TFT LCD is perfect for outdoor measuring equipment, industrial measuring equipment, testing equipment, measuring tools, measuring instruments, etc.






WF43VSIAEDNN0	Dimension
Size	4.3 inch
Dot Matrix	480 x RGB x 272(TFT) dots
Module dimension	105.5(W) x 67.2(H) x 2.95(D) mm
Active area	95.04 x 53.856 mm
Dot pitch	0.066 x 0.198 mm
LCD type	TFT, Normally White, Transmissive
View Direction	12 o'clock
Gray Scale Inversion Direction	6 o'clock
Aspect Ratio	16:09
TFT Driver IC	ST7282-G4-1L
Interface	24-bit RGB
Backlight Type	LED, Normally White
Brightness	1000 cd/m <sup>2</sup> (typical value)
Touch Panel	PCAP / RTP optional
Surface	Glare



## WF39B Bar TFT Series Quick Selection Guide

Winstar 3.9" Bar type WF39B series TFT display is featured with resolution 480x128 pixels; built in with Driver IC HX8278, it supports RGB interface; 3.3V (typical) power supply; supports Sync mode and DE modem, default Sync mode. The luminance for this series is from 350 ~1000 Nits; contrast ratio of 500:1, view direction 6 o'clock, gray scale inversion direction 12 o'clock.

This panorama widescreen 3.9 inch WF39B TFT-LCD display offers high quality and colorful image; it is especially suitable for server system, audio system and advertising display, auto/aviation/marine equipment, security equipment, Industrial equipment, outdoor intercom systems and control panels, medical equipment, drone controls.

Picture	Model No.	Description	Interface	Controller	Touch Screen
	WF39BTLASDNN0	3.9" Bar TFT LCD Brightness 500 cd/m <sup>2</sup> Supports SYNC or DE mode	RGB	No	No
	WF39BTLASDNT0	3.9" Bar TFT LCD Brightness 350 cd/m <sup>2</sup> Supports SYNC or DE mode	RGB	No	RTP
	WF39BTLASDNGA	3.9" Bar TFT LCD Brightness 400 cd/m <sup>2</sup> Supports SYNC or DE mode	RGB	No	PCAP
	WF39BSQASDNN0	3.9" Bar TFT LCD High Brightness 1000 cd/m <sup>2</sup> Super wide temperature -30°C to +85°C Supports SYNC or DE mode	RGB	No	No
	WF39BTZASDNN0	3.9" Bar TFT LCD Brightness 400 cd/m <sup>2</sup> Supports SYNC or DE mode O Film Technology	RGB	No	No



**WINSTAR**

# 3.9" Bar TFT LCD

- ▶ 480x128 resolution
- ▶ PCAP/RTP touchscreen
- ▶ RGB interface

Brightness 1000 cd/m<sup>2</sup>

Brightness 500 cd/m<sup>2</sup>

Brightness 400 cd/m<sup>2</sup>

Brightness 400 cd/m<sup>2</sup>

Brightness 350 cd/m<sup>2</sup>

## 5.2" WF52A and WF52Q Bar TFT Series Selection Guide Introduction

Winstar Bar Type TFT is a new rising star for many applications, These Bar TFT displays are a perfect choice to apply in: 1U/2U server, audio system and advertising display, automotive, aviation, marine systems, security equipment, Industrial equipment, outdoor intercom systems and control panels, medical equipment. Here is the Quick Selection Guide for Winstar released 5.2" WF52A and WF52Q for your reference.

Picture	Model No.	Description	Interface	Controller	Touch Screen
	<b>WF52ATLASDNN0</b>	5.2" Bar TFT LCD Brightness 500 cd/m <sup>2</sup>	RGB	No	No
	<b>WF52ATLASDNG0</b>	5.2" Bar TFT LCD Brightness 400 cd/m <sup>2</sup>	RGB	No	PCAP
	<b>WF52ATZASDNN0</b>	5.2" Bar TFT LCD Brightness 400 cd/m <sup>2</sup> with O-Film technology	RGB	No	No
	<b>WF52ATLASDNT0</b>	5.2" Bar TFT LCD Brightness 350 cd/m <sup>2</sup>	RGB	No	RTP
	<b>WF52ATZASDNG0</b>	5.2" Bar TFT LCD Brightness 350 cd/m <sup>2</sup> with O-Film on panel	RGB	No	PCAP
	<b>WF52ASZASDNN0</b>	5.2" Bar TFT LCD High brightness 850 cd/m <sup>2</sup> with O-Film technology	RGB	No	No
	<b>WF52ASZASDNG0</b>	5.2" Bar TFT LCD High brightness 700 cd/m <sup>2</sup> with O-Film technology	RGB	No	PCAP
	<b>WF52ASLASDNN0</b>	5.2" Bar TFT LCD High brightness 1100 cd/m <sup>2</sup>	RGB	No	No
	<b>WF52ASLASDNG0</b>	5.2" Bar TFT LCD High brightness 880 cd/m <sup>2</sup>	RGB	No	PCAP
	<b>WF52QSZBSDBN0</b>	5.2" Bar TFT LCD High brightness 850 cd/m <sup>2</sup> With frame and controller board O-Film Technology	8080,MPU	SSD1963	No
	<b>WF52QTLBSDBN0</b>	5.2" Bar TFT LCD Brightness 500 cd/m <sup>2</sup> With frame and controller board	8080,MPU	SSD1963	No
	<b>WF52QTLBSDBG0</b>	5.2" Bar TFT LCD Brightness 400 cd/m <sup>2</sup> With frame and controller board	8080,MPU	SSD1963	PCAP
	<b>WF52QTZBSDBN0</b>	5.2" Bar TFT LCD Brightness 400 cd/m <sup>2</sup> With frame and controller board O-Film Technology	8080,MPU	SSD1963	No