

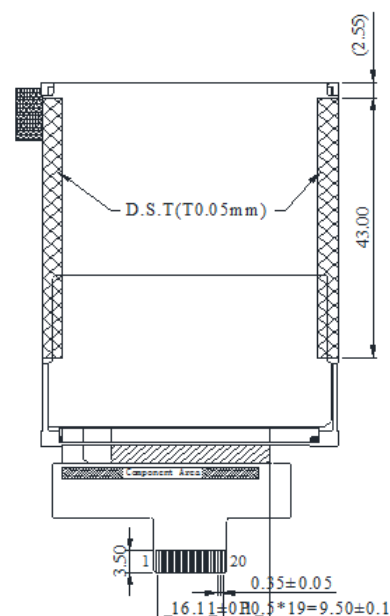
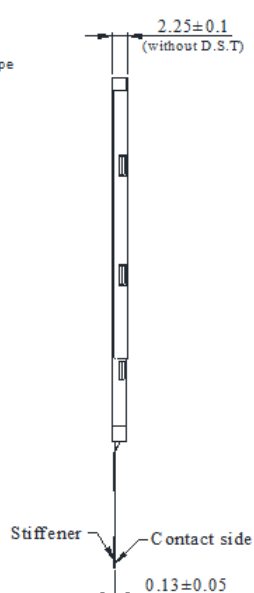
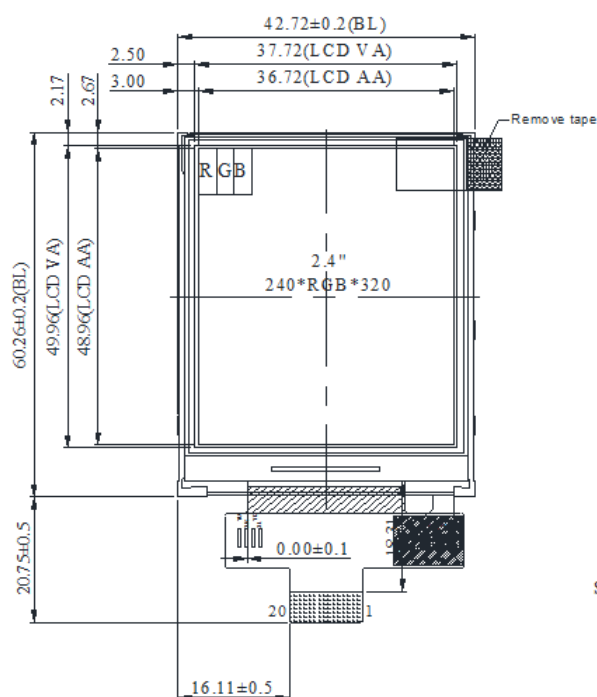
Sept, 2018

**Introduction: 2.4" TFT WF24KTLAJDNN0**

WF24KTLAJDNN0 is a diagonal size 2.4 inch TFT-LCD module with resolution 240x320 pixels. This module is built in with Himax8347-I IC; it supports 4-wire SPI interface, supply voltage for analog (VDD) range from 2.4V to 3.3V. This module is having Glare surface panel, View Direction 6 o'clock, Gray scale inversion 12 o'clock, contrast ratio 500:1.

WF24K TFT-LCD module is Portrait mode with brightness 500 nits (typical value). The module also is available for Resistive Touch Screen (RTP) optional. WF24K can be operating at temperatures from  $-20^{\circ}\text{C}$  to  $+70^{\circ}\text{C}$ ; its storage temperatures range from  $-30^{\circ}\text{C}$  to  $+80^{\circ}\text{C}$ .

WF24KTLAJDNN0	Dimension
Size	2.4 inch
Dot Matrix	240 × RGB × 320(TFT)
Module dimension	42.72(W) × 60.26(H) × 2.25(D) mm
Active area	36.72 × 48.96 mm
Dot pitch	0.153 × 0.153 mm
LCD type	TFT, Normally White, Transmissive
TFT Interface	SPI
TFT Driver IC	Himax8347-I
View Direction	6 o'clock
Gray Scale Inversion Direction	12 o'clock
Interface	4-wire SPI
Aspect Ratio	Portrait mode
Backlight Type	LED, Normally White
Touch Panel	Without Touch Panel / RTP option
Surface	Glare

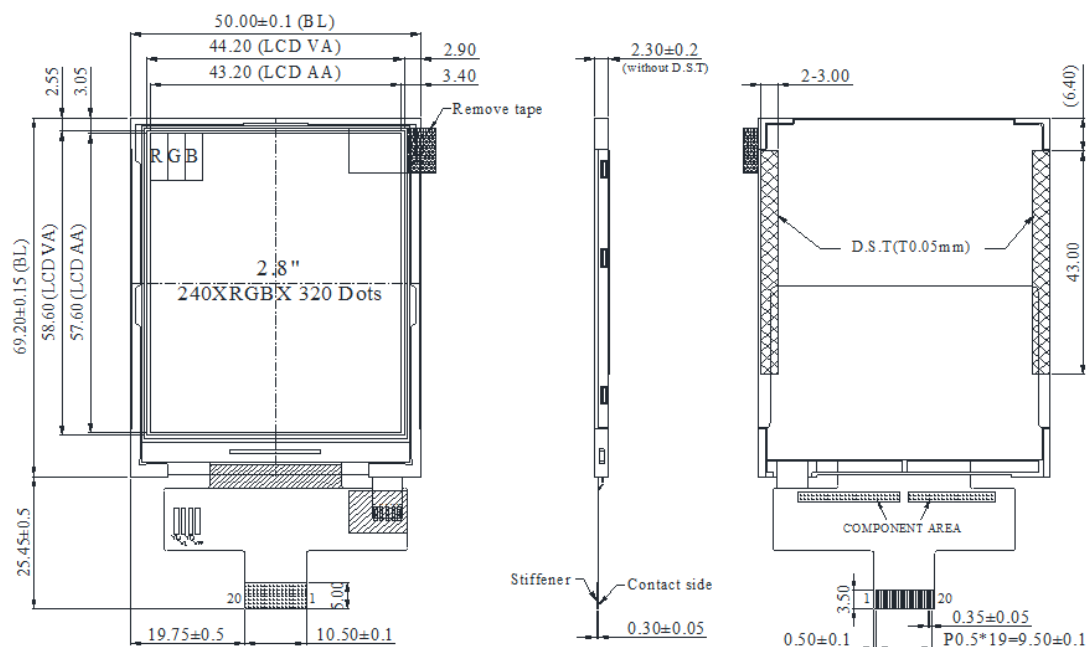


## Introduction: 2.8" TFT WF28GTLAJDNN0

WF28GTLAJDNN0 is a 2.8 inch Portrait mode TFT-LCD module; resolution 240x320 pixels. WF28G module is built in with Himax8347-I IC; it supports 4-Wire SPI interface, supply voltage for analog (VDD) range from 2.4V to 3.3V. This module is having Glare surface panel, View Direction 6 o'clock, Gray scale inversion 12 o'clock, contrast ratio 500:1.

WF28GTLAJDNN0 is Portrait mode with brightness 500 nits (typical value), this model is Resistive Touch Screen (RTP) and Projected capacitive touch screen (PCAP) optional. WF28G can be operating at temperatures from  $-20^{\circ}\text{C}$  to  $+70^{\circ}\text{C}$ , its storage temperatures range from  $-30^{\circ}\text{C}$  to  $+80^{\circ}\text{C}$ . It is ideal for mp4 players, security door system, mini audio player, and baby monitor, etc.

WF28GTLAJDNN0	Dimension
Size	2.8"
Dot Matrix	240 × RGB × 320(TFT)
Module dimension	50.0(W) × 69.2(H) × 2.3(D)
Active area	43.2 × 57.6
Dot pitch	0.18 × 0.18
LCD type	TFT, Normally White, Transmissive
TFT Interface	SPI
TFT Driver IC	Himax8347-I
View Direction	6 o'clock
Gray Scale Inversion Direction	12 o'clock
Interface	4-wire SPI
Aspect Ratio	Portrait
Backlight Type	LED, Normally White
Touch Panel	Without Touch Panel, RTP/PCAP option
Surface	Glare



## 7 inch WF70A2 High Brightness TFT-LCD

WF70A2SIAGDNN0 is high brightness TFT LCD with WVGA 800x480 resolution, diagonal size 7 inch. This TFT model is built in with ST-5623 source driver IC and ST-5091 gate driver IC with high brightness 900 nits (typical value). WF70A2 model supports RGB interface; it's available for Resistive Touch Screen and Projected Capacitive Touch Screen optional, and this high brightness version also have O-Film option (P/N. WF70A2SZAGDNN0) which is suitable for applications those need wider view angle and high brightness.

The supply voltage for logic (VCC) of WF70A2SIAGDNN0 is from 3.0V to 3.6V, typical value 3.3V, Anti-Glare surface panel, View Direction 12 o'clock, Gray scale inversion 6 o'clock, and aspect ratio 16:9. It can be operating at temperatures from  $-20^{\circ}\text{C}$  to  $+70^{\circ}\text{C}$  and storage temperatures from  $-30^{\circ}\text{C}$  to  $+80^{\circ}\text{C}$ .

WF70A2SIAGDNN0	Dimension
Size	7 inch
Dot Matrix	800 × RGB × 480 (TFT)
Module dimension	165 × 100.0 × 5.75
Active area	154.08 × 85.92
Pixel Pitch	0.1926 × 0.179
LCD type	TFT, Normally White, Transmissive
View Direction	12 o'clock
Gray Scale Inversion Direction	6 o'clock
Aspect Ratio	16:9
Backlight Type	LED, Normally White
Color arrangement	RGB-STRIPE
Driver IC	Source IC: ST-5623D, Gate IC: ST5091D
Touch Panel	Without Touch Panel RTP/PCAP option
Surface	Anti-Glare

