

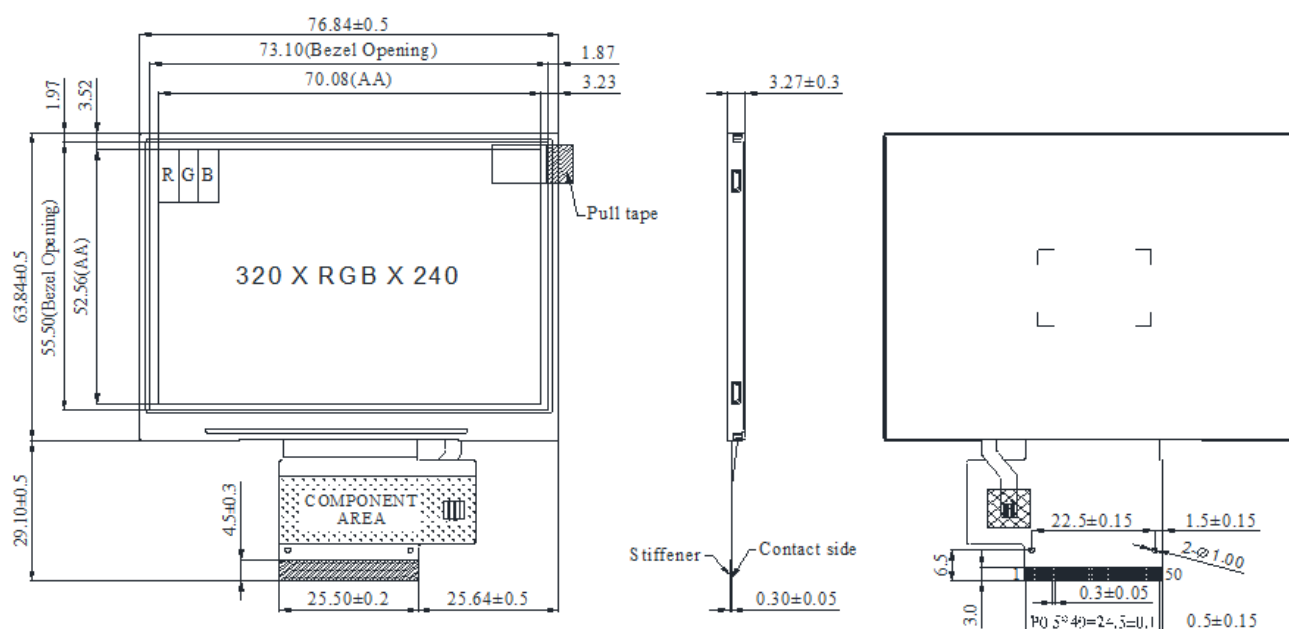
August, 2018

**Introduction: 3.5" TFT-LCD WF35RTIACDNNB**

WF35RTIACDNNB is a diagonal size 3.5 inch TFT-LCD module with resolution QVGA 320x240 pixels. This module is built in with SSD2119 IC; it includes the controller and driver IC functions, supports RGB, SPI, MCU interface, supply voltage (VCI) range from 2.5V to 3.6V. This module is having Anti-Glare surface panel, View Direction 12 o'clock, Gray scale inversion 6 o'clock, and aspect ratio 4:3.

WF35R TFT-LCD module is landscape mode with brightness 400 nits (typical value). The module also is available for Resistive Touch Screen and Projected Capacitive Touch Screen optional. WF35R can be operating at temperatures from  $-20^{\circ}\text{C}$  to  $+70^{\circ}\text{C}$ ; its storage temperatures range from  $-30^{\circ}\text{C}$  to  $+80^{\circ}\text{C}$

WF35RTIACDNNB	Dimension
Size	3.5 inch
Dot Matrix	320 × RGB × 240 (TFT) dots
Module dimension	76.84 (W) × 63.84 (H) × 3.27 (D) mm
Active area	70.08 × 52.56 mm
Dot pitch	0.073 × 0.219 mm
LCD type	TFT, Normally White, Transmissive
View Direction	12 o'clock
Gray Scale Inversion Direction	6 o'clock
Interface	SPI / RGB / MCU
Aspect Ratio	4:3
Backlight Type	LED, Normally White
IC	SSD2119
Touch Panel	Without Touch Panel or PCAP/RTP option
Surface	Anti-Glare



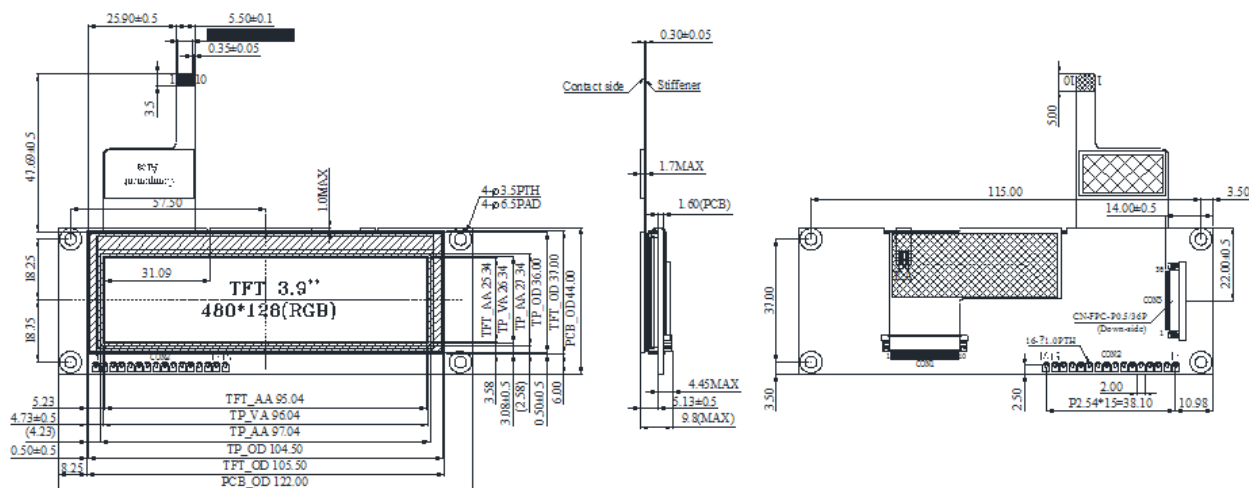


### Q series: 3.9" PCAP Bar TFT WF39QTIBSDBG0

WF39QTIBSDBG0 is an extended model of 3.9" WF39B Bar TFT-LCD display built in with SSD1963 controller board plus a 36 pin-out connector which we called Winstar Q series Family. WF39QTIBSDBG0 model is featured with resolution 480x128 pixels and having projected capacitive touch screen (PCAP) on module, it supports digital 8080 family MPU 8bit/16bit interface (MCU interface). The capacitive touch panel IC is CYTMA568 or equivalent. Also, we already defined pin no. 33 ~ 36 as backlight supply on this SSD1963 controller board; therefore, there is no need to design extra backlight circuit.

WF39Q model is a color TFT module with PCAP; its luminance is 400 nits; contrast ratio of 500:1. It is an ideal upgrade solution for monochrome STN WH1602L1 to color TFT display with touch screen since both two items have a similar outline dimension of 122.0 x 44.0 mm (PCB outline).

WF39QTIBSDBG0	Dimension
Size	3.9 inch
Dot Matrix	480 × 128 × RGB (TFT) dots
Module dimension	122.0 × 44.0 × 9.8 (max) mm
Active area	95.04 × 25.34 mm
Dot pitch	0.066 (W) × 0.198 (H) mm
LCD type	TFT, Normally White, Transmissive
View Direction	12 o'clock
Gray Scale Inversion Direction	6 o'clock
Aspect Ratio	Bar Type
TFT Driver IC	SSD1963
TFT Interface	Digital 8080 family MPU 8bit/16bit
PCAP IC	CYTMA568 Or Equal
Backlight Type	LED, Normally White
Color arrangement	RGB-STRIBE
Touch Panel	With PCAP
Surface	Glare



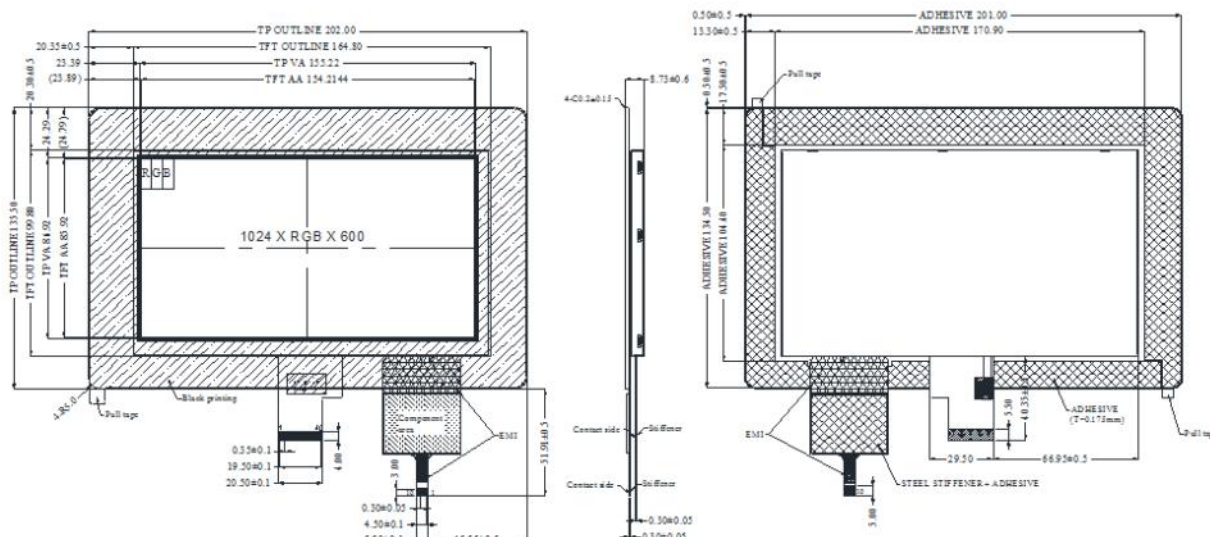


### 7” TFT-LCD WF70BTIAHLNB0 with USB Interface PCAP

WF70BTIAHLNB0 is a 7 inch TFT LCD display, made of resolution 1024x600 pixels with USB interface Capacitive Touch Screen on module. This TFT module supports LVDS interface, and the capacitive touch panel is built in with ILI2511 driver IC which supports USB and I2C interface. The outline dimension of TFT is 164.802x99.5 mm, as to the dimension of capacitive touch screen is 202x135.50 mm. In order to fit into product application market trend, we design the outline dimension of the cover lens are bigger than TFT modules.

This TFT model is having the typical brightness 450 cd/m2, supply voltage (DVDD) range from 3V to 3.6V. This module is having Glare surface panel, view direction 12 o'clock, gray scale inversion 6 o'clock, and aspect ratio 16:9, the operating temperature ranges from -20°C to +70°C and storage from -30°C to +80°C.

WF70BTIAHLNB0	Dimension
Size	7 inch
Dot Matrix	1024 × RGB × 600 (TFT) dots
Module dimension	202.0 (W) × 135.5 (H) × 8.73 (D) mm
Active area	154.2144 × 85.92 mm
Dot pitch	0.1506 × 0.1432 mm
LCD type	TFT, Normally White, Transmissive
View Direction	12 o'clock
Gray Scale Inversion Direction	6 o'clock
Aspect Ratio	16:9
Backlight Type	LED, Normally White
Interface	LVDS
Touch Panel	With PCAP
PCAP IC	ILI2511
PCAP Interface	USB (I2C available)
PCAP FW Version	V 6. 0. 0. 0. 7.65. 0. 1
Surface	Glare

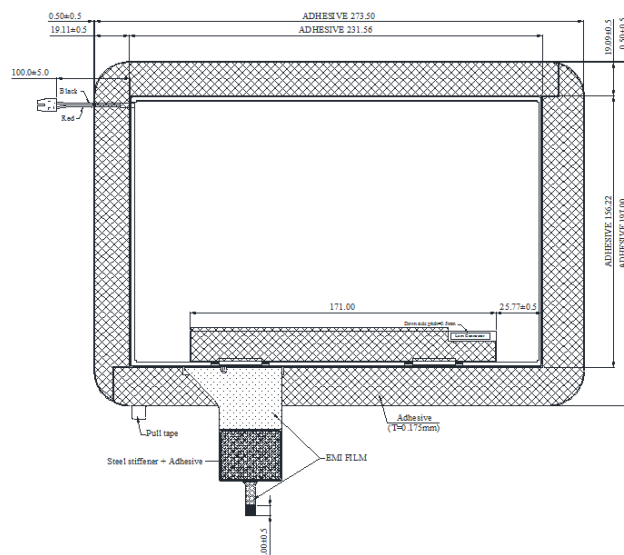
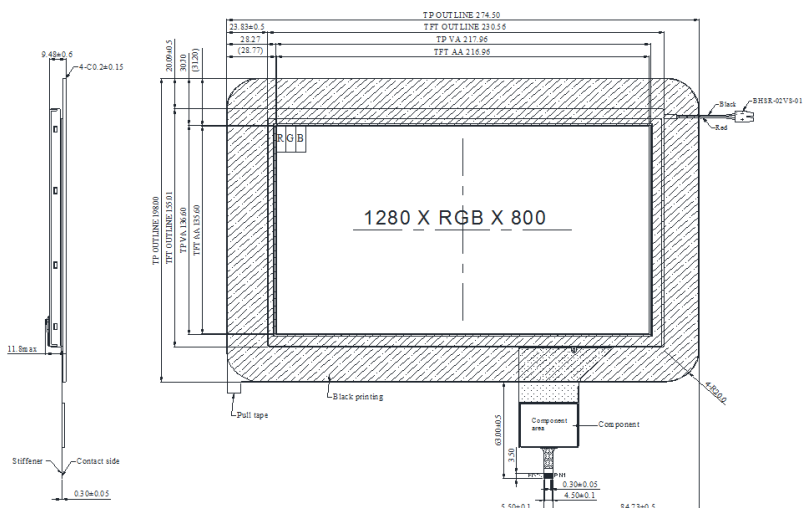


## High Brightness 10.1" IPS TFT WF101FSYAPLNB0 with USB PCAP

WF101FSYAPLNB0 is a 10.1 inch High Brightness TFT LCD with USB Capacitive Touch Screen on module. This TFT model is featured with luminance 900 nits (typical value), made of HD resolution 1280x800 pixels. WF101FSYAPLNB0 supports LVDS interface, and the capacitive touch panel is built in with ILI2511 driver IC which supports USB and I2C interface. The outline dimension of TFT is 164.802x99.5 mm, as to the dimension of capacitive touch screen is 202x135.50 mm. In order to fit into the product application market trend, we design the outline dimension of the cover lens are bigger than TFT modules.

The power supply voltage (VDD) for WF101FSYAPLNB0 is from 2.3V to 2.7V, typical value 2.5V. This IPS TFT LCD module is featured with High Brightness 800 ~ 900 cd/m<sup>2</sup> and wider view angle range of Left:85 / Right:85 / Up:85 / Down:85 degree (typical). It can be operating at temperatures from -20°C to +70°C and storage temperatures from -20°C to +70°C.

WF101FSYAPLNB0	Dimension
Screen Diagonal Size	10.1 inch
Number of Pixels	1280 × 3 (RGB) × 800 dots
Module dimension	274.5 × 198.0 × 9.48 mm
Active area	216.96 (H) × 135.6 (V) mm
Pixel pitch	0.1695 × 0.1695 mm
Display Mode	Normally Black
Pixel Arrangement	R.G.B. Vertical Stripe
Backlight Type	LED, Normally White
Aspect Ratio	16:9
Electrical Interface (Logic)	LVDS
PCAP IC	ILI2511
PCAP Interface	USB (I2C available)
PCAP FW Version	V 6. 0. 0. 0.10. 1.60. 1
Touch Panel	With PCAP
Surface	Glare





## Introduction: 7 inch TFT-LCD WF70A2TIAGDNN0

WF70A2TIAGDNN0 is a color TFT LCD with WVGA 800x480 resolution, diagonal size 7 inch. This TFT model is built in with ST-5623 source driver IC and ST-5091 gate driver IC. WF70A2TIAGDNN0 supports RGB interface; it's available for Resistive Touch Screen and Projected Capacitive Touch Screen optional, as well as high brightness options for this model.

The supply voltage for logic (VCC) of WF70A2TIAGDNN0 is from 3.0V to 3.6V, typical value 3.3V, Anti-Glare surface panel, View Direction 12 o'clock, Gray scale inversion 6 o'clock, and aspect ratio 16:9. It can be operating at temperatures from -20°C to +70 °C and storage temperatures from -30°C to +80 °C.

WF70A2TIAGDNN0	Dimension
Size	7 inch
Dot Matrix	800 × RGB × 480 (TFT) dots
Module dimension	165 × 100.0 × 5.7 mm
Active area	154.08 × 85.92 mm
Pixel Pitch	0.1926 × 0.179 mm
LCD type	TFT, Normally White, Transmissive
View Direction	12 o'clock
Gray Scale Inversion Direction	6 o'clock
Aspect Ratio	16:9
Backlight Type	LED ,Normally White
Color arrangement	RGB-STRIPE
Driver IC	Source IC: ST-5623D, Gate IC: ST5091D
Touch Panel	Without Touch Panel / PCAP or RTP option
Surface	Anti-Glare

