



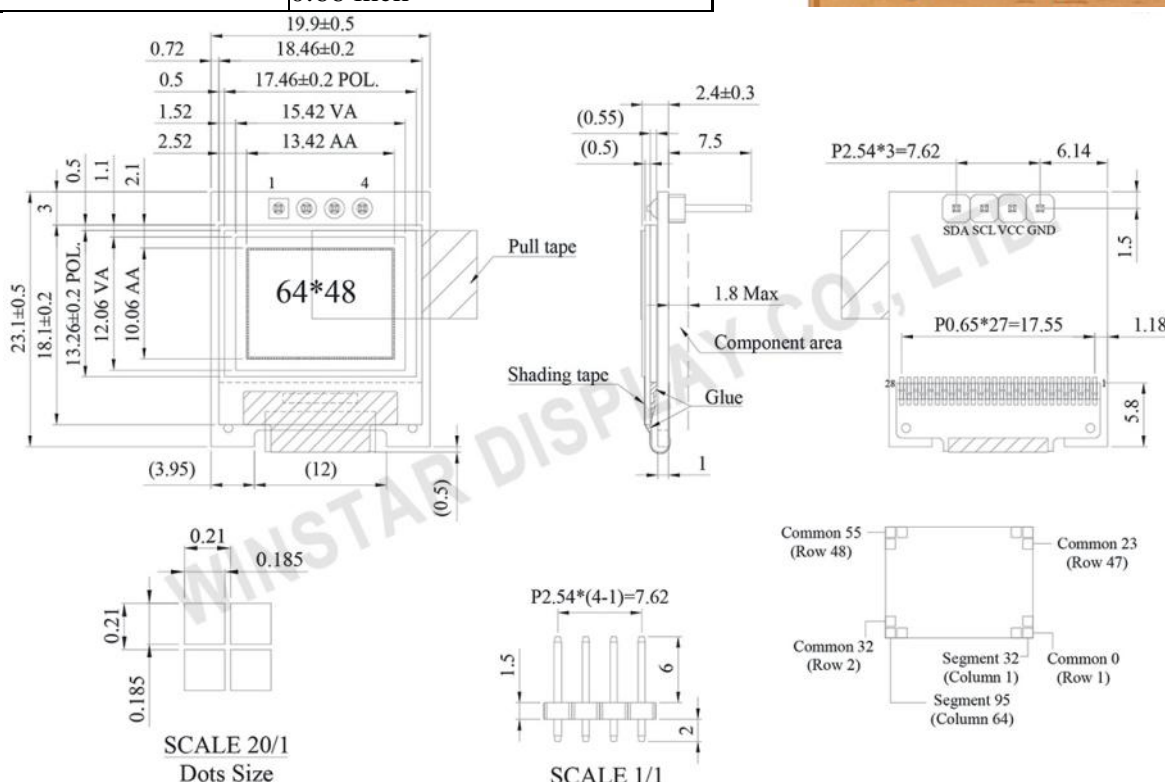
May, 2018 New Product - 0.66 inch COG+PCB OLED WEA006448A

WEA006448A is a 0.66 inch miniature Graphic OLED which is having COG structure with PCB board, made of 64x48 pixels; with 4 metal pins on module. This module is built in with SSD1306BZ IC, it communicates via I2C interface only, supply voltage for Logic 3V, 1/48 duty cycle.

WEA006448A is a micro OLED display makes its self emitting, no backlight is required. The dimension size of PCB board is very close to this 0.66" OLED panel size which makes it easily to design on customers' applications. This module is suitable for industrial device, smart home application, portable device, health device, meter device, etc. WEA006448A module can be operating at temperatures from -40°C to +80°C; its storage temperatures range from -40°C to +85°C. The released emitting colors for this item is available in white ; please see the below part numbers as reference.

White - WEA006448AWPP3N00000

Item-WEA006448A	Dimension
Dot Matrix	64 x 48 Dots
Module dimension	19.9 x 23.1 x 2.4 mm
Active Area	13.42 x 10.06 mm
Pixel Size	0.185 x 0.185 mm
Pixel Pitch	0.210 x 0.210 mm
Display Mode	Passive Matrix
Available Color	White
Drive Duty	1/48 Duty
IC	SSD1306BZ
Interface	I2C
Size	0.66 inch



Introduction - 0.96" COG+PCB OLED WEA012864D-01 Version

Winstar released two new COG structure OLED with PCB board models, WEA012864D-01 version and WEA012864D-03 version; these two OLED panels are made of 128x64 pixels, diagonal size 0.96 inch. WEA012864D-01 module is built in with SSD1306BZ IC, it supports I2C (default), SPI interface optional, VCC 3V /5V, I/O level 5V to 3V, with conversion circuit, 1/64 duty cycle. The WEA012864D-01 model is having PCB outline size 38.0x28.5x2.37 mm with mounting holes on board and 8 metal pins on module.

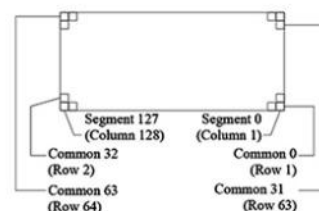
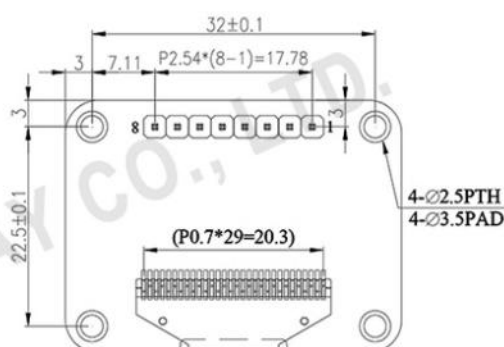
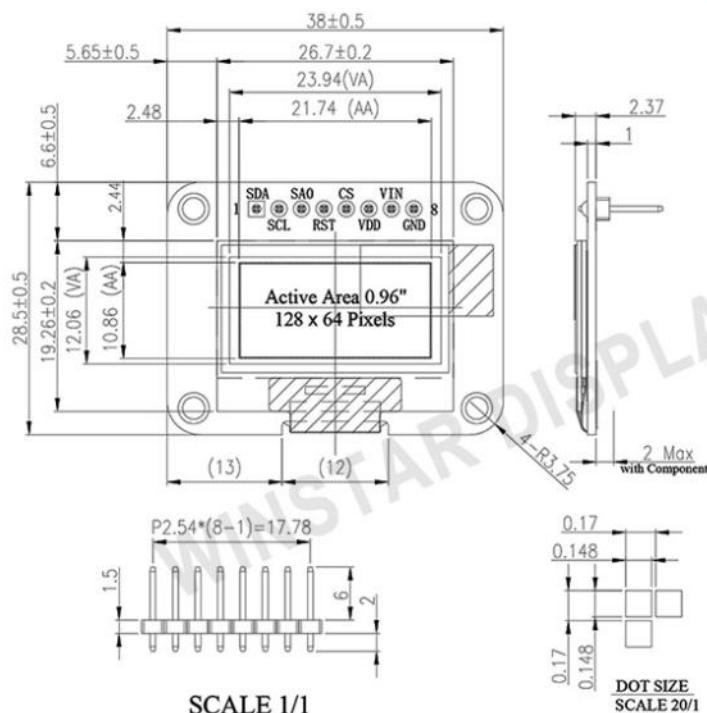
This 0.96 inch OLED module is suitable for smart control, industrial control for heater, smart home application, medical device, etc. The released emitting colors for WEA012864D-01 is available in white, yellow and blue. This module can be operating at temperatures from -40°C to $+80^{\circ}\text{C}$; its storage temperatures range from -40°C to $+85^{\circ}\text{C}$.

White: WEA012864DWPP3N00001

Yellow: WEA012864DLPP3N00001

Blue: WEA012864DBPP3N00001

Item-WEA012864D-01	Dimension
Dot Matrix	128 x 64 Dots
Module dimension	38.00 x 28.50 x 2.37 mm
Active Area	21.74 x 10.86 mm
Pixel Size	0.148 x 0.148 mm
Pixel Pitch	0.17 x 0.17 mm
Display Mode	Passive Matrix
Available Color	Yellow, White, Blue
Drive Duty	1/64 Duty
IC	SSD1306BZ
Interface	Default I2C, Optional SPI
Size	0.96 inch



Introduction - 0.96" COG+PCB OLED WEA012864D-03 Version

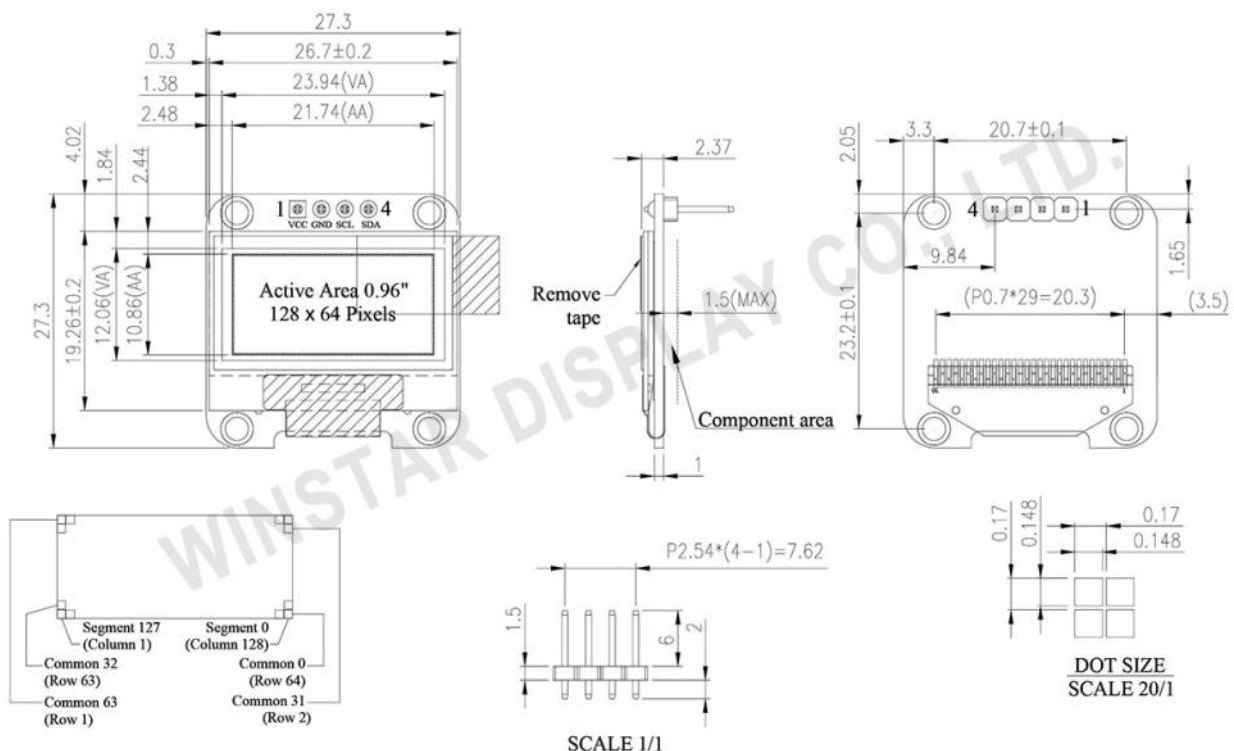
WEA012864D-03 version OLED module is a diagonal size 0.96 inch COG OLED display with PCB board on it. This WEA012864D-03 version OLED panel is made of 128x64 pixels. WEA012864D-03 module is built in with SSD1306BZ IC, it communicates via I2C interface only, VCC 3V /5V, I/O level 5V to 3V, with conversion circuit, 1/64 duty cycle. The WEA012864D-03 model is having a smaller PCB than WEA012864D-01 version of which outline size is 27.3x27.3x2.37mm with mounting holes on board and 4 metal pins on module.

This 0.96 inch OLED module is suitable for smart control, industrial control, smart home application, medical device, etc. The released emitting color for this item is available in white and yellow. WEA012864D-03 module can be operating at temperatures from -40°C to +80°C; its storage temperatures range from -40°C to +85°C.

White: WEA012864DWPP3N00003

Yellow: WEA012864DLPP3N00003

Item-WEA012864D-03	Dimension
Dot Matrix	128 x 64 Dots
Module dimension	27.30 x 27.30 x 2.37 mm
Active Area	21.74 x 10.86 mm
Pixel Size	0.148 x 0.148 mm
Pixel Pitch	0.17 x 0.17 mm
Display Mode	Passive Matrix
Available Color	White, yellow
Drive Duty	1/64 Duty
IC	SSD1306BZ
Interface	I2C
Size	0.96 inch



Comparison: WEA012864D-01 vs. WEA012864D-03 Version

WEA012864D-01 and WEA012864D-03 versions both are COG structure OLED with PCB board on modules, the OLED panels on modules are the same WEA012864D 0.96" panels. Below is the comparison chart for customers to choose a suitable item for your application.

Model No.	WEA012864D-01	WEA012864D-03
Diagonal Screen Size	0.96 inch	0.96 inch
Dot Matrix	128 × 64	128 × 64
Module Size (mm)	38.0 x 28.5 x 2.37	27.3 x 27.3 x 2.37
VCC	3V /5V	3V/ 5V
I/O level 5V to 3V	With conversion circuit	With conversion circuit
Interface	Default I2C / SPI optional	I2C
Pin Out	8 pins	4 pins
Driver IC	SSD1306BZ	SSD1306BZ
Available color	White, yellow, blue	White, yellow
Picture	