

WINSTAR Display

OLED SPECIFICATION

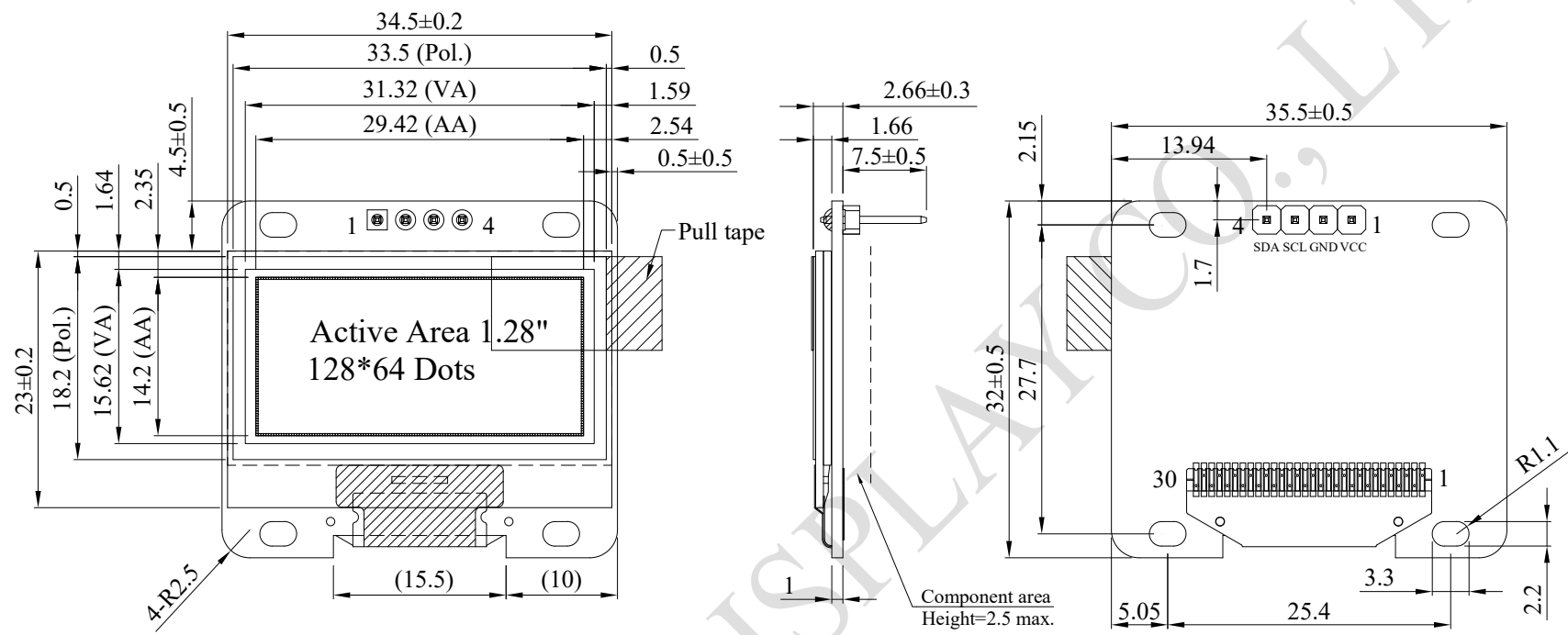
Model No:

WEA012864L

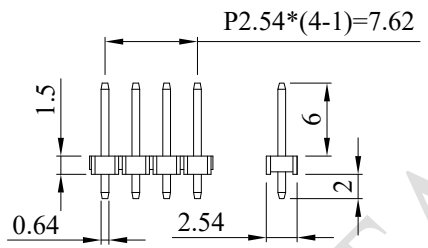
General Specification

| Item | Dimension | Unit |
|------------------|----------------------|------|
| Dot Matrix | 128 × 64 | — |
| Module dimension | 35.50 × 32.00 × 2.66 | mm |
| Active Area | 29.42 × 14.20 | mm |
| Pixel Size | 0.205 × 0.197 | mm |
| Pixel Pitch | 0.230 × 0.222 | mm |
| Display Mode | Passive Matrix | |
| Display Color | Monochrome | |
| Drive Duty | 1/64 Duty | |
| Controller IC | SH1106 | |
| Interface | I2C | |
| Size | 1.28 inch | |

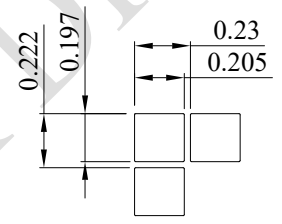
Contour Drawing & Block Diagram



| PIN | SYMBOL |
|-----|--------|
| 1 | VCC |
| 2 | GND |
| 3 | SCL |
| 4 | SDA |



Scale 1/1



Scale 20/1

The non-specified tolerance of dimension is ±0.3 mm .

Interface Pin Function

| No. | Symbol | Function |
|-----|--------|------------------------|
| 1 | VCC | Power supply input |
| 2 | GND | Ground |
| 3 | SCL | The serial clock input |
| 4 | SDA | The serial data input |

Absolute Maximum Ratings

| Parameter | Symbol | Min | Max | Unit |
|--------------------------|--------|------|-----|------|
| Supply Voltage for Logic | VCC | 1.65 | 5.5 | V |
| Operating Temperature | TOP | -40 | +80 | °C |
| Storage Temperature | TSTG | -40 | +85 | °C |

Electrical Characteristics

DC Electrical Characteristics

| Item | Symbol | Condition | Min | Typ | Max | Unit |
|-----------------------------------|--------|-----------|---------|-----|---------|------|
| Supply Voltage for Logic | VCC | — | 2.9 | 3.3 | 5.2 | V |
| Input High Volt. | VIH | — | 0.8×VCC | — | VCC | V |
| Input Low Volt. | VIL | — | 0 | — | 0.2×VCC | V |
| Output High Volt. | VOH | — | 0.8×VCC | — | VCC | V |
| Output Low Volt. | VOL | — | 0 | — | 0.2×VCC | V |
| 50% Check Board operating Current | ICC | VCC =3.3V | - | 25 | 37.5 | mA |