

Jan, 2018



Chinese New Year Holiday Notice

Winstar Display Taiwan office, branches and China factories will be closed from February 15 thru February 20, 2018 for Chinese Lunar New Year Holiday. We will resume working on February 21, 2018. Please notice the below shipping date before and after holiday. The China Custom and the most of China shipping forwarders will return to work on February 23. Please work with Winstar sales rep. closely before the holiday if your shipment might be affected. Thank you.

Shipping From China

- ▶ Last shipping date: February 9, 2018
- ▶ First shipping date: February 23, 2018

Shipping From Taiwan

- ▶ Last shipping date: February 13, 2018
- ▶ First shipping date: February 21, 2018



NEWS

www.winstar.com.tw

Exhibition : Embedded World 2018 Nurnberg Germany

Winstar is going to demonstrate our technology on embedded system for industrial displays and TFT and OLED displays in the 2018 Embedded World in Nurnberg Germany. The embedded world Exhibition & Conference in Nurnberg offers the embedded community the opportunity to obtain information about new products and innovations, enter into an exchange and to maintain and develop valuable contacts. Winstar will be there to demonstrate our technology and new development and products. Welcome to visit us at Booth No. 1-205 (hall 1).

Embedded World 2018- Exhibition & Conference

- ▶ Date: February 27~March 1, 2018
- ▶ Location: Exhibition Centre Nurnberg, Germany
- ▶ Booth No.: HALL 1-205

<https://www.embedded-world.de/en>



Exhibition News: MD&M West 2018 in USA

Winstar Display will present a full range of display technology highlights on its booth No.958 at the MD&M West at Anaheim, CA. This Expo will be held from February 6 to February 8, 2018 in Anaheim Convention Center. The booth will contain live demonstrations of our solution areas for TFT displays, OLED displays and Custom design. You are more than welcome to visit the Winstar booth at the MD&M West exhibition to learn more about the latest innovations on show and our wide range of alternative display solutions. Look forward to seeing you there on booth no. 958.

MD&M West 2018 in USA

- ▶ Date: February 6 -8, 2018
- ▶ Location: Anaheim Convention Center, CA USA
- ▶ Booth No.: 958

<https://mdmwest.mddionline.com/>

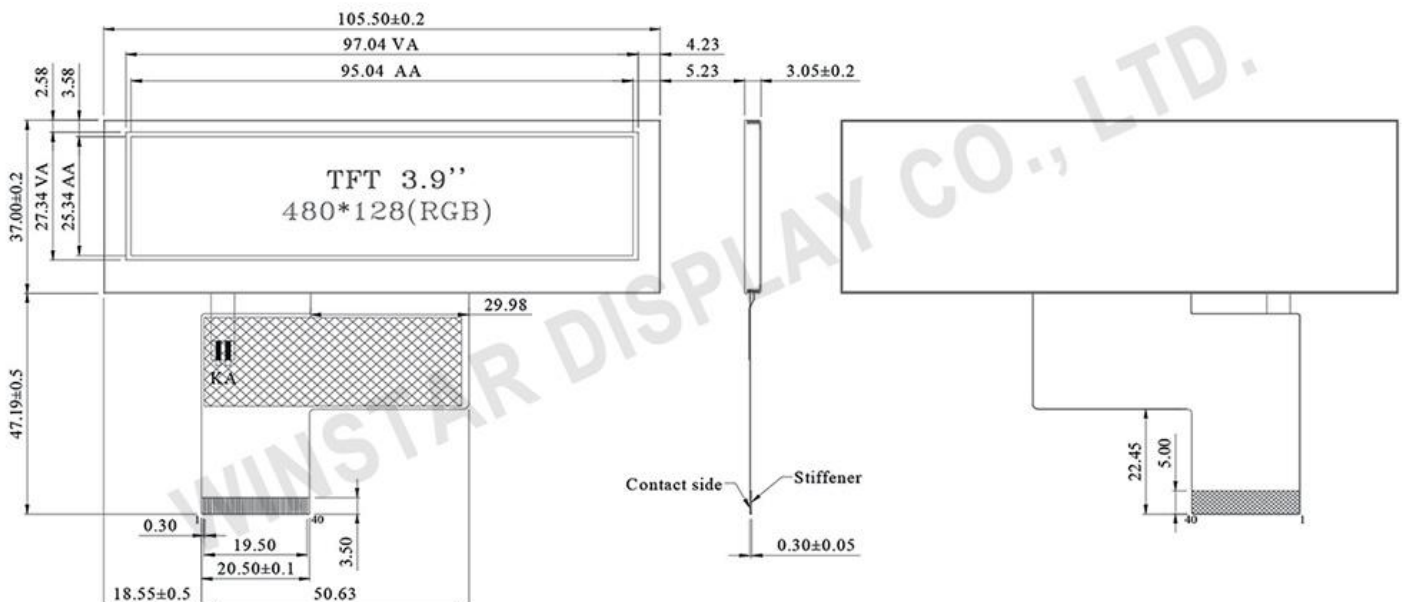
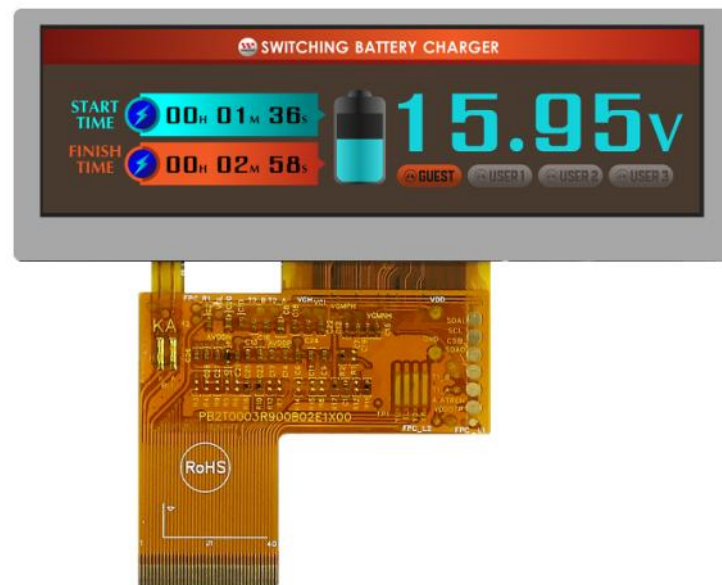


New Product - NEW 3.9" Bar Type TFT WF39BTLASDNN0#

Winstar Display released a new version 3.9" Bar type TFT LCD display with resolution 480x128 pixels. This panorama new 3.9 inch WF39B TFT-LCD display offers high quality and colorful image; it is especially suitable for server system, audio system and advertising display, auto/aviation/marine equipment, POP, security equipment, Industrial equipment, outdoor intercom systems and control panels, medical equipment, drone controls.

This WF39BTLASDNN0 is built in with Driver IC HX8278, it supports RGB interface; 3.3V (typical) power supply; supports SYNC mode or DE mode, default SYNC mode. Its luminance is 500 Nits; Contrast ratio of 500:1, gray scale inversion direction 12 o'clock. It can be operating at temperatures from -20°C to $+70^{\circ}\text{C}$; its storage temperatures range from -30°C to $+80^{\circ}\text{C}$. If customers require wider operating temperatures from -30°C to $+80^{\circ}\text{C}$; storage temperatures from -30°C to $+85^{\circ}\text{C}$, you can choose WF39BSQASDNN0# model.

WF39BTLASDNN0#	Dimension
Size	3.9 inch
Dot Matrix	480 x 128 x RGB (TFT)
Module dimension	105.5 x 37.0 x 3.05 mm
Active area	95.04 x 25.34 mm
Dot pitch	0.066(W) x 0.198(H)
LCD type	TFT, Normally White, Transmissive
View Direction	6 o'clock
Gray Scale Inversion Direction	12 o'clock
Aspect Ratio	Bar Type
Backlight Type	LED, Normally White
Interface	RGB 24bit
Touch Panel	Without TP
Surface	Anti-Glare

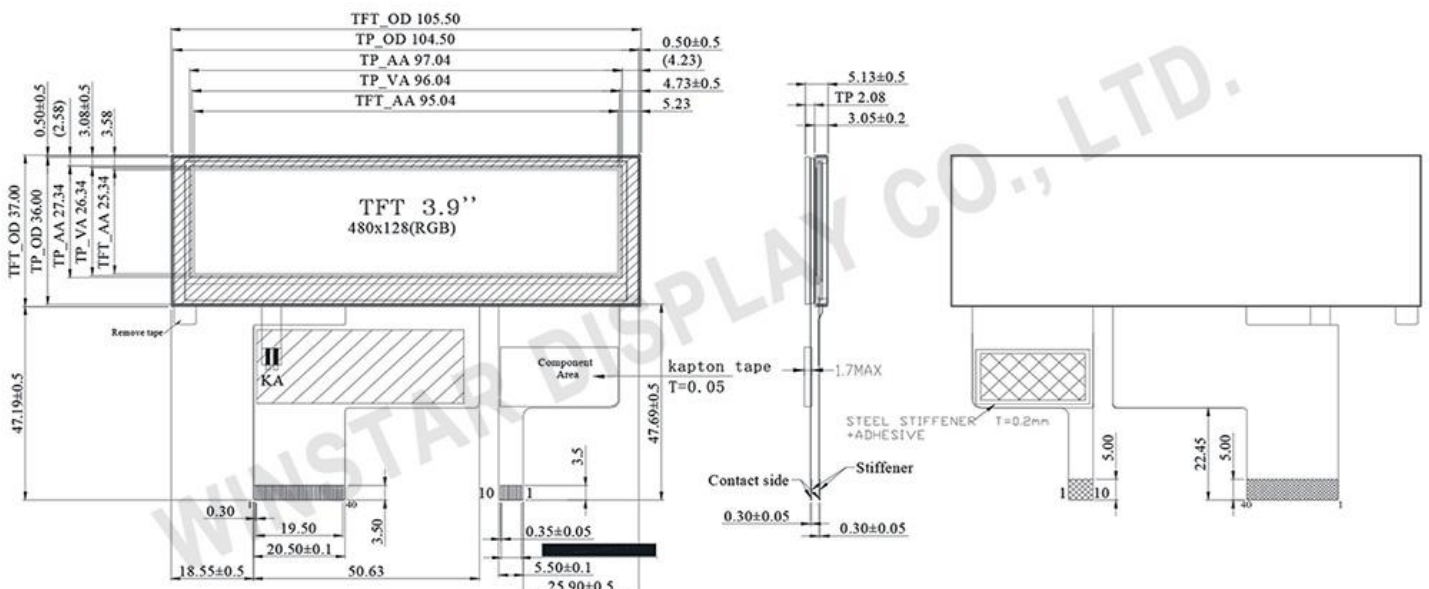


3.9" Bar TFT WF39BTLASDNG0# (with Capacitive Touch Panel)

WF39BTLASDNG0 is Winstar 3.9" Bar type WF39B series TFT display with Capacitive Touch Panel. This model is featured with resolution 480x128 pixels; built in with Driver IC HX8278, it supports RGB interface; 3.3V (typical) power supply; supports SYNC mode or DE mode, default SYNC mode. Its luminance is 400 Nits; Contrast ratio of 500:1, gray scale inversion direction 12 o'clock. It can be operating at temperatures from -20°C to +70°C; its storage temperatures range from -30°C to +80°C.

This panorama widescreen 3.9 inch WF39B TFT-LCD display offers high quality and colorful image; it is especially suitable for server system, audio system and advertising display, auto/aviation/marine equipment, security equipment, Industrial equipment, outdoor intercom systems and control panels, medical equipment, drone controls.

WF39BTLASDNG0#	Dimension
Size	3.9 inch
Dot Matrix	480 x 128 x RGB (TFT)
Module dimension	105.5 x 37.0 x 5.13 mm
Active area	95.04 x 25.34 mm
Dot pitch	0.066(W) x 0.198(H) mm
LCD type	TFT, Normally White, Transmissive
View Direction	6 o'clock
Gray Scale Inversion Direction	12 o'clock
Aspect Ratio	Bar Type
Backlight Type	LED, Normally White
Interface	RGB 24bit
Touch Panel	With PCAP
Surface	Glare



3.9" Bar TFT WF39BTLASDNT0# (with Resistive Touch Panel)

WF39BTLASDNT0 is widescreen 3.9" Bar type TFT display with Resistive Touch Panel on module. This WF39B model is featured with resolution 480x128 pixels; built in with Driver IC HX8278, it supports RGB 24bit interface; 3.3V (typical) power supply; supports SYNC mode or DE mode, default SYNC mode. Its luminance is 350 Nits; Contrast ratio of 500:1, gray scale inversion direction 12 o'clock. It can be operating at temperatures from -20°C to +70°C; its storage temperatures range from -30°C to +80°C.

This Bar Type 3.9 inch WF39B TFT-LCD display offers high quality and colorful image; it is especially suitable for server system, audio system and advertising display, auto/aviation/marine equipment, security equipment, Industrial equipment, outdoor intercom systems and control panels, medical equipment, drone controls.

WF39BTLASDNT0#	Dimension
Size	3.9 inch
Dot Matrix	480 x 128 x RGB (TFT)
Module dimension	105.5 x 37.0 x 4.58 mm
Active area	95.04 x 25.34 mm
Dot pitch	0.066(W) x 0.198(H) mm
LCD type	TFT, Normally White, Transmissive
View Direction	6 o'clock
Gray Scale Inversion Direction	12 o'clock
Aspect Ratio	Bar Type
Backlight Type	LED, Normally White
Interface	RGB 24bit
Touch Panel	With RTP
Surface	Anti-Glare

