

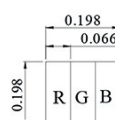
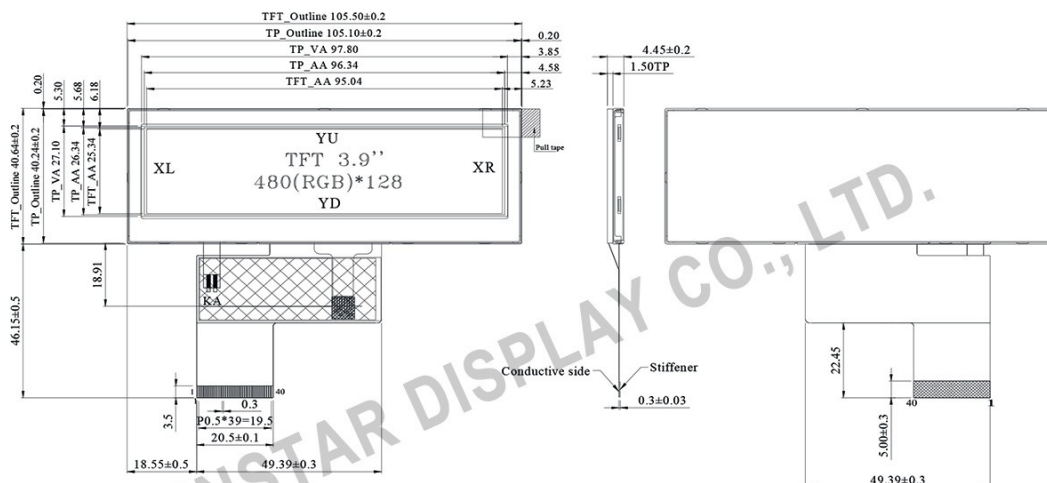
Aug., 2017

## Bar Type 3.9" TFT-LCD WF39ATIASDNT0 (with RTP)

WF39ATIASDNT0 is a Bar Type 3.9 inch color TFT display module made of resolution 480x128 pixels. This TFT LCD is integrated with a Resistive Touch Screen, having the module dimension of 105.5x40.64 mm and active area size of 95.04x25.34 mm. WF39ATIASDNT0 supports RGB interface, 3.3V (typical) power supply, supports DE mode and Sync mode. It's View Angle (U/D/R/L) is:50/70/70/70 (typical); brightness is 350 cd/m2.

WF39ATIASDNT0 module can be used in information display device, server system, audio system, industrial device, security equipment which requires display in high quality and colorful image. WF39ATIASDNT0 TFT-LCD module can be operating at temperatures from  $-20^{\circ}\text{C}$  to  $+70^{\circ}\text{C}$ ; its storage temperatures range from  $-30^{\circ}\text{C}$  to  $+80^{\circ}\text{C}$ .

Item-WF39ATIASDNT0	Dimension
Size	3.9 inch
Dot Matrix	480 x RGBx128
Module dimension	105.5 x 40.64 x 4.45 mm
Active area	95.04 x 25.34 mm
Dot pitch	0.066x 0.198 mm
LCD type	TFT, Normally White, Transmissive
View Direction	12 o'clock
Gray Scale Inversion Direction	6 o'clock
Aspect Ratio	Bar Type
Backlight Type	LED, Normally White
Touch Panel	With RTP
Surface	Anti-Glare
Interface	RGB



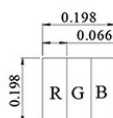
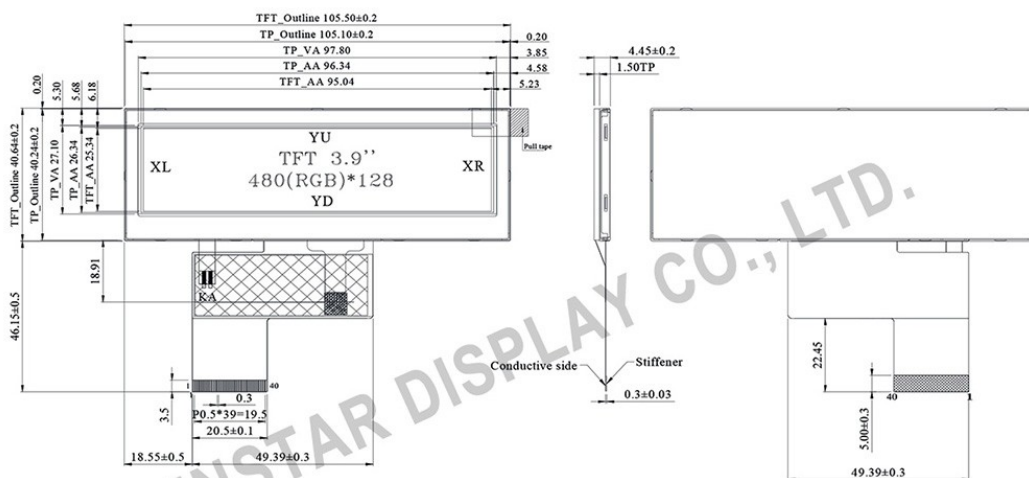
SCALE 100/1

## 5.2" Bar TFT WF52ATLASDNT0# (With RTP)

WF52ATLASDNT0 is a Bar type 5.2 inch TFT LCD display with Resistive Touch Panel, it's a whole new size and resolution of TFT display. This 5.2 inch TFT display offers high quality and colorful image made of resolution 480x128 pixels; it is especially suitable for industrial equipment & automotive applications, server system, audio system, POS system and advertising display.

WF52ATLASDNT0 is having module dimension of 140.4 x 49.87 mm and Active Area of 127.152 x 33.9072 mm which is very close to monochrome STN Graphic WG24064A; both diagonal sizes are 5.2 inch. WF52ATLASDNT0 is built in with ST7252 or equivalent driver IC. It supports RGB 24 bits parallel interface SYNC mode. If customers need PCB with screw holes on module which is having similar module dimension as WG24064A, you may choose our WF52Q model. This WF52A module can be operating at temperatures from -20°C to +70°C; its storage temperatures range from -30°C to +80°C.

WF52ATLASDNT0	Dimension
Size	5.2 inch
Dot Matrix	480 x RGBx128
Module dimension	140.4 x 49.87 x 4.5 mm
Active area	127.152 x 33.9072 mm
Dot pitch	0.0883 x 0.2649 mm
LCD type	TFT, Normally White, Transmissive
View Direction	6 o'clock
Gray Scale Inversion Direction	12 o'clock
Aspect Ratio	Bar Type
Backlight Type	LED, Normally White
Driver IC	ST7252 Or Equal
Interface	RGB 24bit
With /Without TP	With RTP
Surface	Anti-Glare



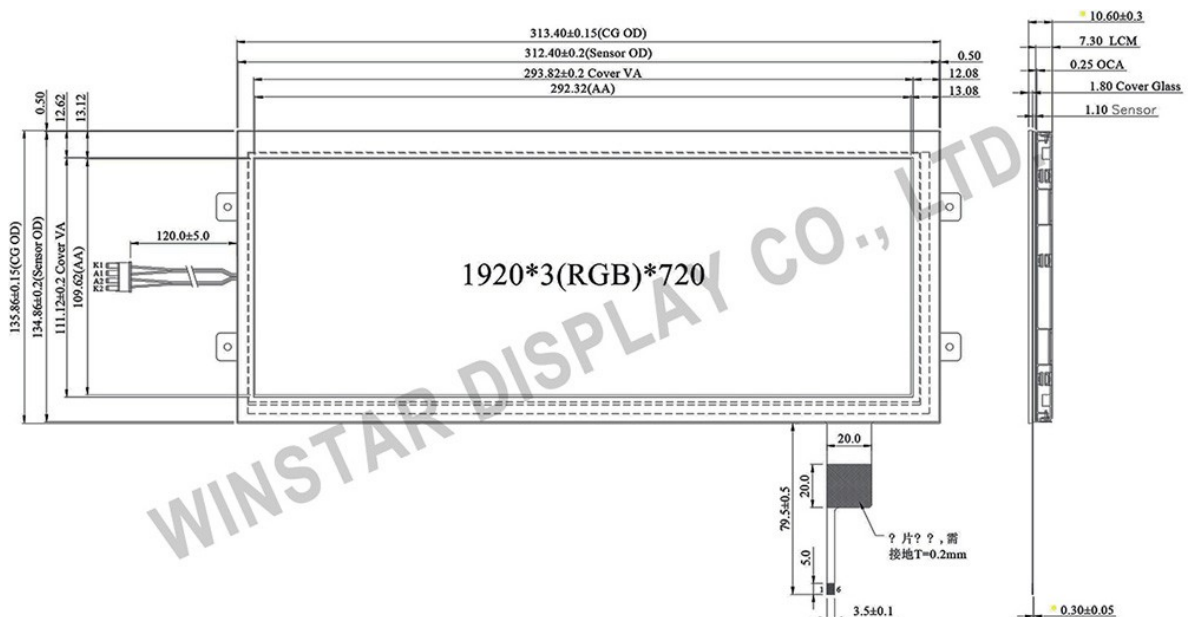
SCALE 100/1

## IIPS Bar Type 12.3 inch TFT WF123ASWGYLNG0

WF123ASWGYLNG0 is an IPS 12.3 inch TFT-LCD module with Projected Capacitive Touch Screen (PCAP). This TFT-LCD is featured with IPS panel which is having the advantages of wider viewing angle of Left:85 / Right:85 / Up:85 / Down:85 degree (typical) and having HD resolution (1920x720). WF123ASWGYLNG0 is a Bar Type TFT module which is having aspect ratio of 24:9 and its brightness is 800cd/m<sup>2</sup>.

This 12.3" IPS TFT-LCD module is having 2-channel LVDS (2 port LVDS) interface with HD resolution of 1920 x 720 pixels. It is featured with super wide temperature of operating temperatures from 30°C to +85°C; storage temperatures range from -40°C to +95°C. WF123ASWGYLNG0 is an IPS industrial grade Bar Type with high brightness TFT display modules. It is very suitable for industrial equipment & automotive applications, POS system and advertising display, etc.

Item-WF123ASWGYLNG0	Dimension
Size	12.3 inch
Pixel Number	1920 x R.G.B. x 720 mm
Module dimension	313.4 x 135.86 x 10.6 mm
Active Area	292.32 (H) x 109.62 (V) mm
Pixel Pitch	0.1523(H) x 0.1523(V) mm
LCD type	TFT, Normally Black, IPS
View Angle	ALL Direction
Backlight Type	LED, Normally White
Weight of Module (g)	768g
With /Without TP	With CTP
Surface	Glare
Interface	2-channel LVDS (2 port LVDS)

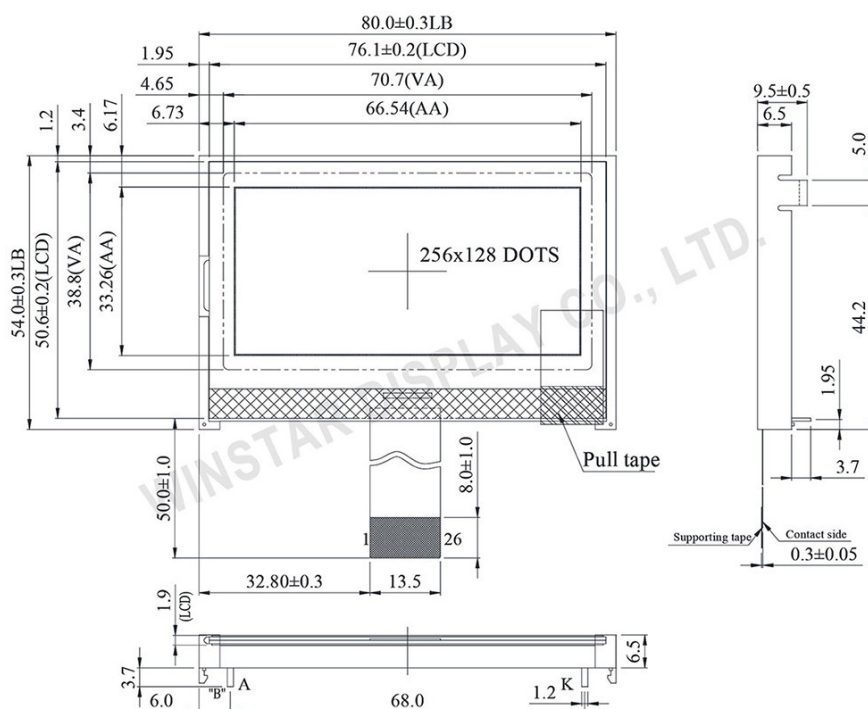
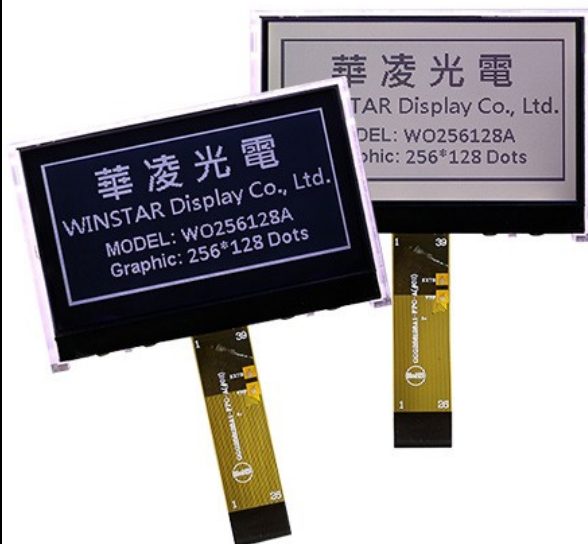


## Product Recommendation - COG Graphic WO256128A

WO256128A is a monochrome graphic LCD module made of 256x128 pixels, diagonal size 2.9 inch. This LCD Module WO256128A is built in with ST75256 controller IC, it supports 6800 8-bit, 8080 8-bit parallel and 4-wire serial SPI and I2C interface. The WO256128A is having the same outline dimension, and VA size and same power supply 3.3V as WO12864D3, but is having a much higher resolution and performance. The WO125128A is an upgrade version of WO12864D3 to meet with the customers' requirement on higher resolution and the best thing is that the customers don't have to change the mechanical design for their applications.

This module can be operating at temperatures from  $-20^{\circ}\text{C}$  to  $+70^{\circ}\text{C}$ ; its storage temperatures range from  $-30^{\circ}\text{C}$  to  $+80^{\circ}\text{C}$ . The WO256128A is available for different LCD mode options, STN Negative, FSTN Negative (Double film) and FSTN positive and with LED backlight options, like white LED. Please contact with us if you need different LCD type and LED combination.

Item-WO256128A	Dimension
Number of dots	256 x 128
Module dimension	80.0 x 54.0 mm
View area	70.7 x 38.8 mm
Active area	66.54 x 33.26 mm
Dot size	0.24 x 0.24 mm
Dot pitch	0.26 x 0.26 mm
LCD type (available)	STN Negative, Blue Transmissive FSTN Negative (Double film) Transmissive FSTN Positive Transflective
Drive Method	1/128 DUTY, 1/12 BIAS
View direction	6 o'clock
Backlight Type	LED, White
IC	ST75256
Interface	6800/8080/SPI/I2C



## Product Recommendation - COG Graphic WO240128B

WO240128B is a monochrome COG graphic LCD module made of 240x128 pixels, diagonal size 4.8 inch. This COG LCD Module WO240128B is built in with ST7586S controller IC; it supports 6800 8-bit, 8080 8-bit parallel and 3-line 9-bit /4-line 8-bit serial SPI interface. This COG WO240128B type is having the same Active Area dimension and View Area as COB WG240128B, but WO240128B is much thinner than WG240128B. If the customers require 4.8" thinner module for new design, the WO240128B is a good choice.

This WO240128B module can be operating at temperatures from  $-20^{\circ}\text{C}$  to  $+70^{\circ}\text{C}$ ; its storage temperatures range from  $-30^{\circ}\text{C}$  to  $+80^{\circ}\text{C}$ . The WO240128B is available for different LCD mode options; STN Negative blue with white LED backlight, and FSTN positive white with white LED backlight. Please contact with us if you need different LCD type and LED combination.

Item-WO240128B	Dimension
Number of dots	240 x 128
Module dimension	122.2 x 79.8 x 6.5 mm
View area	114.0 x 64.0 mm
Active area	107.98 x 57.58 mm
Dot size	0.43 x 0.43 mm
Dot pitch	0.45 x 0.45 mm
LCD type (available)	STN Negative, Blue Transmissive FSTN Positive White, Transflective
Drive Method	1/128Duty · 1/12Bias
View direction	6 o'clock
Backlight Type	LED, White
IC	ST7586S
Interface	8080/6800 Parallel / SPI Serial

