



June, 2017

## Shipping Arrangement Notice before Stocktaking (June 2017)

Winstar Display will have half yearly stock-taking in late of June for Taiwan, China and Myanmar plants. Please note that we will stop shipping and receiving shipment during this period. Below are the last shipping date before the inventory check and the first shipping date after the stocktaking for your reference. Please work with your Winstar sales persons closely before the stocktaking if your shipment might be affected. Thank you.

### Shipping from Taiwan

- ▶ Last shipping date: June 27, 2017
- ▶ First shipping date: July 3, 2017

### Shipping from China

- ▶ Last shipping date: June 28, 2017
- ▶ First shipping date: July 3, 2017

### Shipping from Myanmar

- ▶ Last shipping date: June 26, 2017
- ▶ First shipping date: July 3, 2017

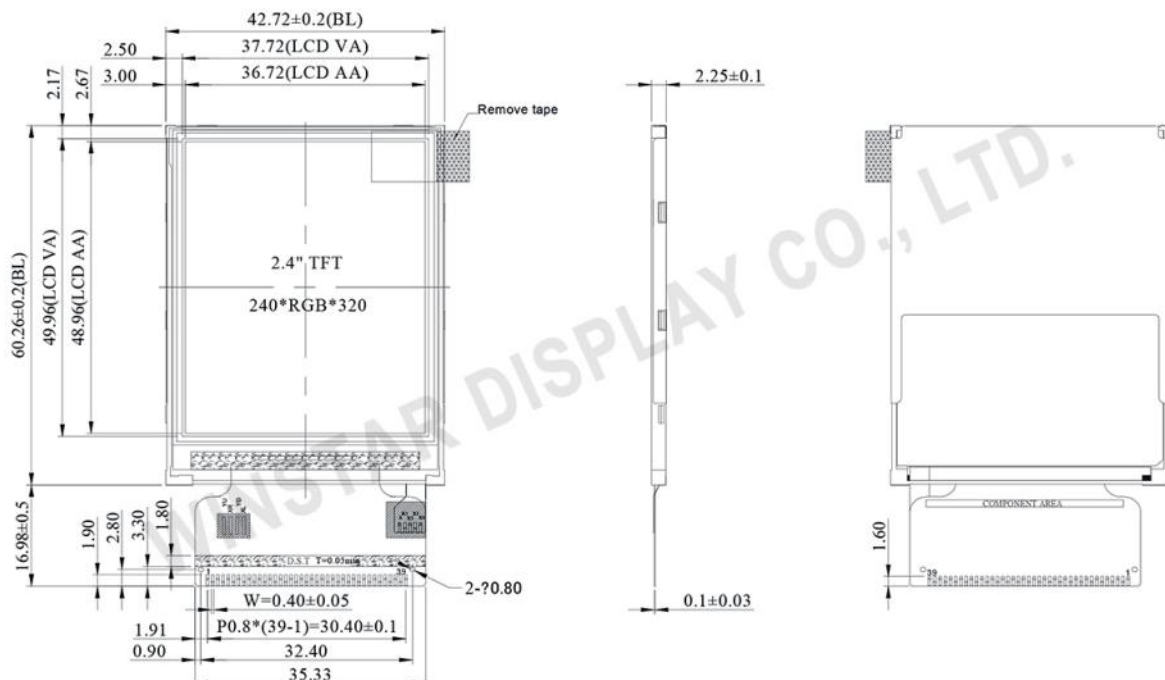
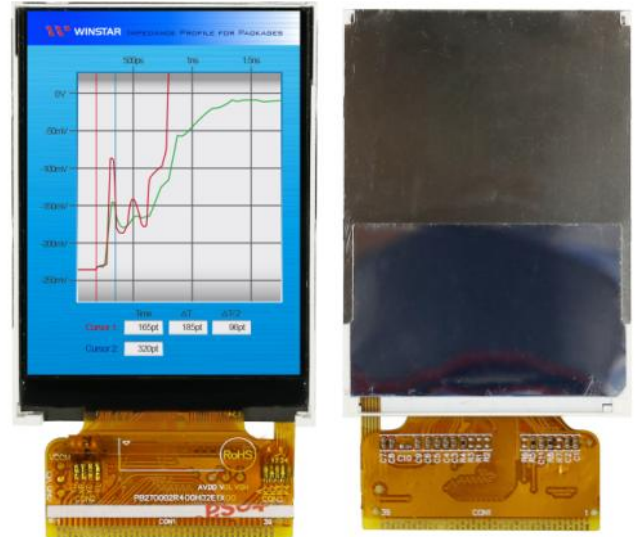


## Product Introduction - 2.4 inch TFT-LCD WF24H

Winstar WF24H is a 2.4 inch diagonal full color 240x320 TFT LCD display module. This module is built in with ILI9341V IC; it supports 8/16-bit 8080-series Parallel MCU Interface. WF24H model is having module dimension of 42.72 x 60.26 mm and Active area size of 36.72 x 48.96 mm; it integrated ILI9341V controller on module, logic supply voltage range from 2.4V to 3.3V.

WF24H is portrait mode LCD module, if you would like to use it as landscape mode, please contact with us for more technical support. This 2.4" TFT LCD module is featured with brightness up to 500 cd/m<sup>2</sup>(typical value), it can be operating at temperatures from -20°C to +70°C; its storage temperatures range from -30°C to +80°C. Below is the basic spec information for WF24H as reference.

Item-WF24H	Dimension
Size	2.4 inch
Dot Matrix	240 x RGB x 320(TFT)
Module dimension	42.72 x 60.26 x 2.25 mm
Active area	36.72 x 48.96 mm
Dot pitch	0.051 x 0.153 mm
LCD type	TFT, Normally White, Transmissive
View Direction	6 o'clock
Gray Scale Inversion Direction	12 o'clock
Aspect Ratio	Portrait
Backlight Type	LED, Normally White
Interface	MCU
Touch Panel	RTP option
Surface	Glare



## TFT-LCD Product Introduction - 2.8 inch WF28E

WF28E is full color 240xRGBx320 TFT LCD display module, diagonal size 2.8 inch. This module is built in with ILI9341V IC; it supports 8/ 16bit 8080-series Parallel MCU Interface. WF28E model is having module dimension of 50.0 x 69.2 mm and Active area size of 43.2 x 57.6 mm; it integrated ILI9341V controller on module, logic supply voltage range from 2.5V to 3.3V.

WF28E is portrait mode LCD module, if you would like to use it as landscape mode, please contact with us for more technical support. This 2.8" TFT LCD module is featured with brightness up to 500 cd/m<sup>2</sup>(typical value), it can be operating at temperatures from -20°C to +70°C; its storage temperatures range from -30°C to +80°C. This 2.8" TFT LCD Module 6:00 o'clock viewing direction works well for devices that is easy to read above eye level without fading, such as signal analyzers or bench top laboratory equipment, handheld microscope and other handheld devices.

Item-WF28E	Dimension
Size	2.8 inch
Dot Matrix	240 x RGB x 320(TFT)
Module dimension	50.0 x 69.2 x 2.3 mm
Active area	43.2 x 57.6 mm
Dot pitch	0.06 x 0.18 mm
LCD type	TFT, Normally White, Transmissive
View Direction	6 o'clock
Gray Scale Inversion Direction	12 o'clock
Aspect Ratio	Portrait
Backlight Type	LED, Normally White
Interface	MCU
Touch Panel	No (RTP under development)
Surface	Glare

