

**Dear Winstar News Readers:**

According to the Chinese Zodiac, the Year of 2010 is the Year of a Golden Tiger ( 虎 ). The Year of the Tiger is associated with the earthly branch symbol 寅 and which is also known by its formal name of Geng Yin.

The Tiger is the third sign in the cycle of Chinese Zodiac, which consists of 12 animal signs. Tiger is a symbol of courage. This fearless and fiery fighter is revered by the ancient Chinese as the sign that wards off the three main disasters of a household: fire, thieves and ghosts.

### **Notice for Chinese New Year Holiday**

Winstar's Taiwan and China Factory will be closed from 13 to 21 February, 2010 for the Chinese Lunar New Year Holidays. We will resume to work on February 22nd. Happy Tiger Year!!!



### **Production Capacity Management Before Holidays**

Chinese New Year Holiday is always a very important event to Chinese people. Many workers in Winstar China factory are from other provinces and they will take longer holidays to return their hometown. This phenomenon will affect the production capacity for all the China factories. It's because of the shortage of workers, the lead-time for the recent orders will be longer than before. To reduce the impact of this phenomenon, Winstar take the following actions –

- ▶We increased the in stock components for most of Winstar standard LCM models.
- ▶We dispatched worker to component suppliers to make sure we can get enough materials for customers' orders.

The came out results might not meet all the customers expectation, but we did try our best to provide our best delivery before the long holidays. Winstar features are always of “problem solving” and work on customers' side. We will do our best to fulfill customers' satisfaction.

### **Delivery Issue - LCD Panels Shortage**

According to the recent global news, the demand for LCD TV and Notebook will have a strong growth in 2010. There will be a LCD panel supply shortage in the first quarter and may extend to second quarter. That will make the lead-time for small and medium LCD panels around 4~8 weeks longer than before. Winstar will increase the LCD panels in stock for most of our standard LCM to reduce the impact of panel shortages. But we also your need the cooperation of our distributors/partners to release the orders or forecast as soon as possible, that will make the orders getting a better delivery. Thank you for your cooperation.

## Exhibition News – Expo Electronica 2010, Moscow

Winstar Display will attend the exhibition of Expo Electronica 2010, which will be held in 2010 from 20~22 April in Moscow, Russia. Welcome to visit our booth for taking a look to what new at Winstar. We look forward to seeing you!

Below is the exhibition information --

Crocus EXPO Moscow, Russia

Location: Exhibition Centre

Booth No.: Pavilion #1, Hall #3, D27/14



## Label for LCD Modules with RA6963 Controller Notices

In earlier Winstar News July & November 2009 issues, we released Toshiba T6963C change to RA6963 controller notice. Thank you for the customers' cooperation to the IC changes.

The LCD modules are with RA6963 can be easily distinguished by the part number of the IC itself on the PCB board. In order to make it more easily notice the LCD module with RA6963 controller, we will affix one yellow label on the back side of each LCD module before shipment. This label will be affixed on available position which might be different from variant models. Below are the photos of the yellow label and this label affixed to the component side (PCB side) as reference.



*Yellow Label*

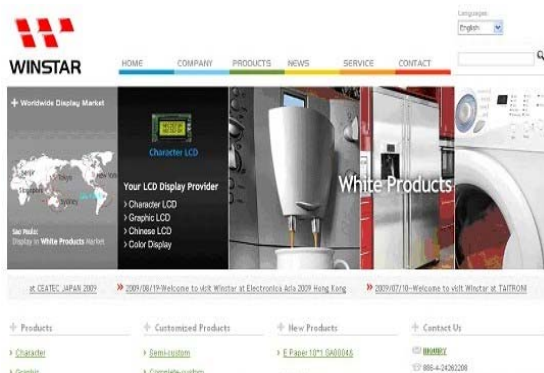


*Example: Yellow Label Affixed on PCB board*

## Winstar Gained Marketing Funds Support from Taiwan Government

In mid of 2009, Winstar Display applied an application to Taiwan Government for innovation marketing plan activity and has completed the whole project by end of December 2009. We won the competition over more than 100 contestant and have gained the funds support from Taiwan Government. It was an competition that all the contestant made proposal to present the innovation ability of the company on products or marketing activity.

Winstar Display won this contest for our innovated marketing service to customers. We upgraded our service on many aspects such as 15 multi-languages website, Online Technical Forum, monthly E-mail Winstar News service, On-line product video introduction, Online Distributor service, etc.



## Product Introduction – 2.4” AMOLED Driver Board

In issue No. 14 October 2009 Winstar News, we introduced AMOLED modules. This series is built in Samsung driver IC S6E63D3 which is with active matrix driving mode. The interface is optional as following --

1. MPU i80-system 18-/16-/9-/8-bit bus interface
2. MPU i68-system 18-/16-/9-/8-bit bus interface
3. Serial data transfer interface (SPI)
4. RGB 18-/16-/6-bit bus interface

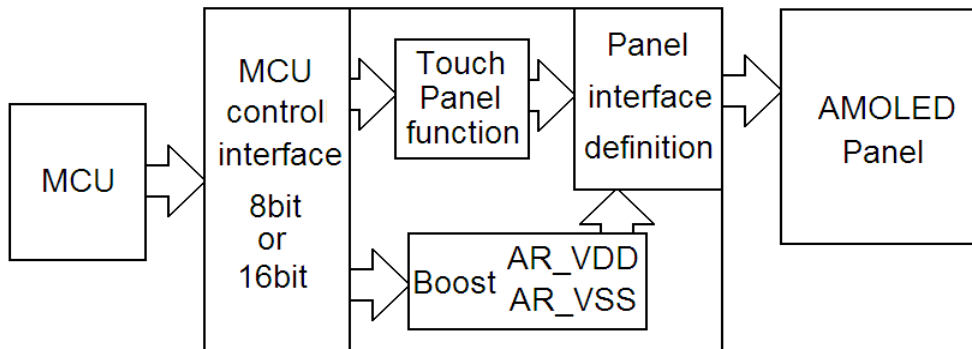
### Electrical Characteristics of panel --

Power Supply Voltage: +2.5V~+3.3V  
 Positive Voltage: +4.6V  
 Negative Voltage: -4.4V  
 Max. Current: 162 mA  
 Response Time: 50 u Sec  
 Resolution: 240x320 65K Color



*2.4” AMOLED with Driver Board*

In order to help the customers can easily test and evaluate possible solution in early design stage; we provide option of driver board for the 2.4” AMOLED series. Please note that the Supply Voltage of this driver board is +3.3V. Also, this driver board is built in touch screen driver on board. It accepts 8 bit or 16 bit data bus.



*Block Diagram*

### Quick Selection chart for available part numbers --

Size	Part No.	Description
2.4"	WEG320240ACNA3N00000	2.4" AMOLED + Driver Board (8bit)
	WEG320240ACNA3N00001	2.4" AMOLED + Driver Board (16bit)
	WEG320240ACNA3T00000	2.4" AMOLED + Touch Panel + Driver Board (8bit)
	WEG320240ACNA3T00001	2.4" AMOLED + Touch Panel + Driver Board (16bit)